

INSTALLATION MANUAL

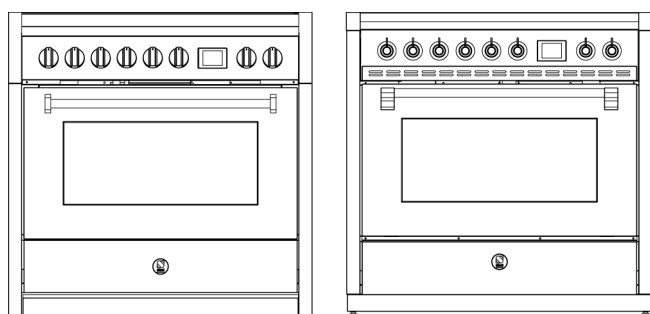
EN

Cookers

MANUEL D'INSTALLATION

FR

Cuisinières



INSTALLATION MANUAL VALIDITY

this manual for all the product codes mentioned below:

VALIDITÉ DU MANUEL D'INSTALLATION

ce manuel pour tous les codes de produits mentionnés ci-dessous :

GQY9S-5FI | AQY9S-5FI

ENGLISH	7-22
FRANÇAIS	25-40

 **DANGER**

It refers to a dangerous situation which, if not avoided, will cause some of irreversible damage.

 **WARNING**

It refers to a dangerous situation which, if not avoided, could cause serious damage.

 **CAUTION**

It refers to a dangerous situation which, if not avoided, exposes to the risk of injury or damage.

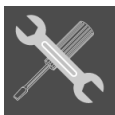
 **NOTICE**

It refers to useful information and necessary to highlight.

NOTICE

This manual is an integral part of the product purchased. The user must conserve the manual correctly so that it is always available for consultation during the use and maintenance of the product. Keep this manual for future reference. If the product is resold, the manual must be transferred to any subsequent owner or user of the product.

The manufacturer is not liable for any inaccuracies in this manual resulting from printing or transcription errors. The manufacturer reserves the right to modify its products as it considers necessary or in the interests of the user, without compromising their essential safety and operating characteristics.

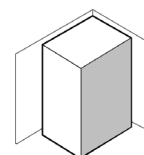


INSTRUCTIONS FOR THE INSTALLER: for the **qualified technician** who is in charge of installing, commissioning and testing the appliance.

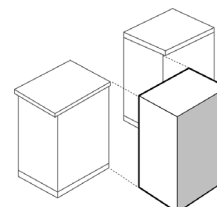
CLASSES OF APPLIANCES

The cooking appliances described in this manual belong to the following installation classes:

- **Class 1:** Floor supported.



-
- **Class 2 – subclass 1:** Slide-in unit.



1. General Information	8
1.1 <i>Technical Service</i>	8
2. Important Instruction	8
3. Warnings for safety and use	9
3.1 <i>Data rating plate</i>	10
4. Installation	11
4.1 <i>Dimensions</i>	11
4.2 <i>Cutout Requirements</i>	12
4.3 <i>General Warnings</i>	13
4.4 <i>Stability feet</i>	14
4.5 <i>Anti-Tip Bracket Installation</i>	14
4.6 <i>Fitting the front moulding</i>	16
4.7 <i>Fitting the telescopic guides</i>	17
4.8 <i>Fitting the Backguard</i>	18
5. Electrical connection	19
5.1 <i>Connecting and replacing the electric cable</i>	19
5.2 <i>Type of power supply</i>	20
6. Ventilation preparation	21
7. Final operations	22
7.1 <i>Levelling the cooker to the floor</i>	22
7.2 <i>Adjustment of the drawer height</i>	22
7.3 <i>Installation Checklist</i>	22

1. General Information

1.1 Technical Service

Before leaving the factory, this appliance has been tested and set up by qualified, specialist personnel, so as to guarantee the best operating results. Each repair or adjustment that may subsequently be necessary must be carried out with the utmost care and attention. We therefore recommend always contacting the Dealer where the appliance was purchased or your nearest Service Centre, specifying the type of problem and the appliance model.

2. Important Instruction

Proper Installation – Be sure your appliance is properly installed and grounded by a qualified technician.

Never Use Your Appliance for Warming or Heating the Room.

Do Not Leave Children Alone – Children should not be left alone or unattended in area where appliance is in use. They should never be allowed to sit or stand on any part of the appliance.

Wear Proper Apparel – Loose-fitting or hanging garments should never be worn while using the appliance.

User Servicing – Do not repair or replace any part of the appliance unless specifically recommended in the manual. All other servicing should be referred to a qualified technician.

Storage in or on Appliance – Flammable materials should not be stored in an oven or near surface units.

Do Not Use Water on Grease Fires – Smother fire or flame or use dry chemical or foam-type extinguisher.

Use Only Dry Potholders – Moist or damp potholders on hot surfaces may result in burns from steam. Do not let potholder touch hot heating elements. Do not use a towel or other bulky cloth.

Use Care When Opening Door – Let hot air or steam escape before removing or replacing food.

Do Not Heat Unopened Food Containers – Build-up of pressure may cause container to burst and result in injury.

Keep Oven Vent Ducts Unobstructed.

Placement of Oven Racks – Always place oven racks in desired location while oven is cool. If rack must be moved while oven is hot, do not let potholder contact hot heating element in oven.

NEVER use aluminum foil to cover oven racks or oven bottom. This could result in risk of electric shock, fire, or damage to the appliance. Foil can cause oven enamel to craze and/or crack.

NEVER cover any slots, holes or passages in the oven bottom or cover an entire rack with materials such as aluminum foil. Doing so blocks air flow through the oven. Aluminum foil linings may also trap heat, causing a fire hazard.

3. Warnings for safety and use

DANGER

The appliance should only be used by adults. Do not allow children to approach or play with the appliance. Never store items that children may attempt to reach above the appliance. The heating up of some parts of the appliance and of the used pans may be a danger, so during functioning and during all the time necessary for the cooling down, take care to position the hot pans in a way to prevent burns or overturning. Avoid leaving the oven door open during functioning or immediately soon after the switching off. Avoid touching the heating elements inside the oven and grills as well.

Resting or sitting on the open oven door, drawers can overturn the appliance, and consequently cause harm.

Never put inflammable objects into the oven: should it be accidentally switched on, a fire may break out. **In the event of a fire cut off the electric current.** Do not throw water on burning or frying oil. Do not store inflammable objects or aerosol cans near the appliance.

Do not rest saucepans that do not have a perfectly smooth, even base on the induction hob.

Do not use recipients or steak grills that exceed the outer perimeter of the induction hob.

WARNING

This manual is an integral part of the appliance. It should be kept in good condition and close to the appliance for the whole lifecycle of the cooker. We recommend reading this manual very carefully before using the cooker.

Important – Save this manual for local electrical inspector's use.

The installation must be carried out by qualified personnel and in compliance with current standards. This appliance is for domestic use and conforms to the directives currently in force.

The cooker shall be installed:

- In the United States, in accordance with the National Electric Code/State and Municipal codes and/or local codes.
- In Canada, in accordance with Canadian Electric Code C22.1-latest edition/Provincial and Municipal codes and/or local codes.

Use in a professional setting and installation within a business such as restaurant, bar, company canteen or any other use other than that specified here will immediately void the warranty.

The appliance is built for carrying out the following function: **cooking and heating food**; any other use is to be considered improper. **The manufacturer declines any responsibility should the appliance be used for purposes other than those indicated.**

At the moment of purchase, the user assumes direct responsibility for the product and must therefore make sure that, with normal use, no instability, deformation, breakage or wear occurs over time that would reduce product safety.

This product is designed and manufactured to operate safely and does not pose any dangers to people, animals, and objects.

If the cooker is set on a pedestal, appropriate measures must be taken to prevent it from sliding off the pedestal.

WARNING

NEVER use this appliance as a space heater to heat or warm the room. Doing so may result **overheating of the oven.**

CAUTION

The earth connection is obligatory conforming to the modalities envisaged by the safety standards of the electrical wiring system.

The plug to be connected to the power supply cable and the relative socket must be the same type and must comply with current standards. After installing the appliance make sure that the plug is accessible to allow the periodical check-up. **Do not pull out the plug by pulling the cable.**

Immediately after installation, test the appliance briefly by following the instructions shown below. In the event of a malfunction, disconnect the appliance from the mains and contact your nearest Technical Service Centre. **Do not attempt to repair the appliance.**

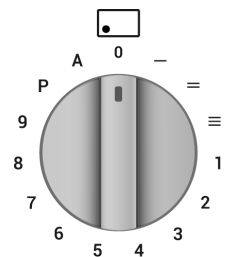
Do not leave any pieces of the packing unattended in the home. Separate the various packing materials and deliver them to the nearest recycling centre.

When the appliance is decommissioned, it must be disposed of in a suitable recycling centre. Cut off the mains power cord after unplugging it from the wall outlet, and make safe any components which might be dangerous for children (doors, etc.).

The manufacturer declines any responsibility for damage incurred by persons or objects that is caused by not following the above guidelines or by tampering with any part of the appliance or by using non-original spare parts.

CAUTION

Each time you finish using the induction hob, always check that the knobs are in "0" position (off).



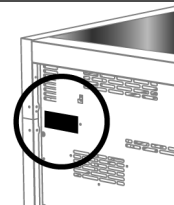
3.1 Data rating plate

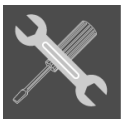
WARNING

The data rating plate with the technical data, serial number and the mark is clearly visible on the back of the appliance; a copy is attached to the manual.

A second plate is placed inside the equipment on the left side and is visible on opening the oven door.

These plates must never be removed.

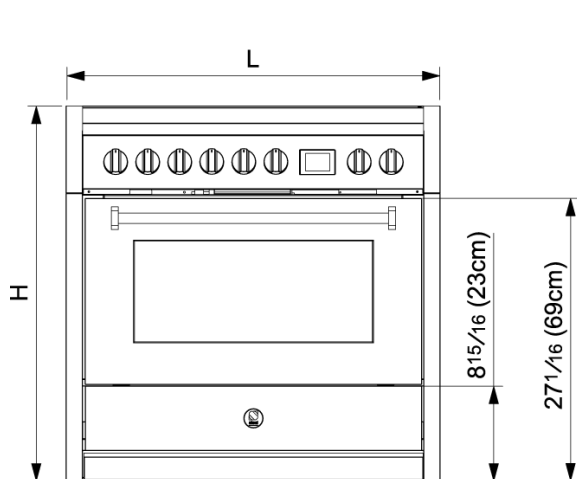




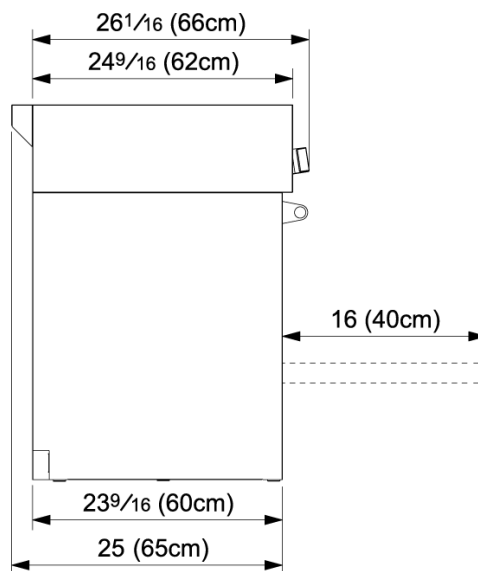
4. Installation

4.1 Dimensions

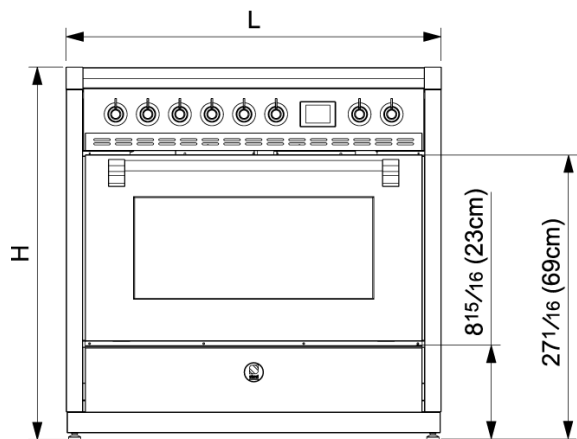
GENESI



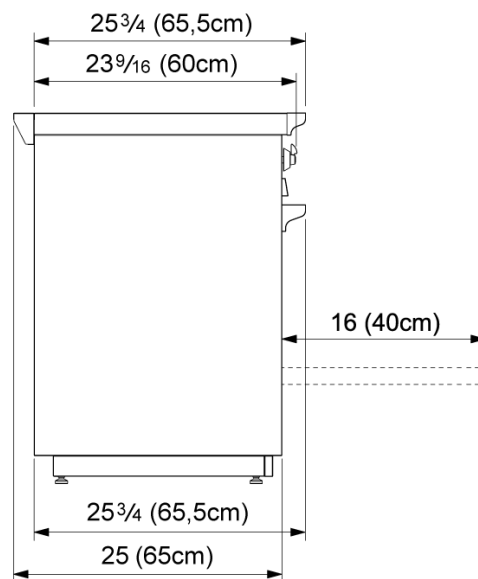
GQY9S-5FI	
L	35 3/8 (89,8cm)
H	35 7/16 (90cm)



ASCOT



AQY9S-5FI	
L	35 3/8 (89,8cm)
H	35 7/16 (90cm)



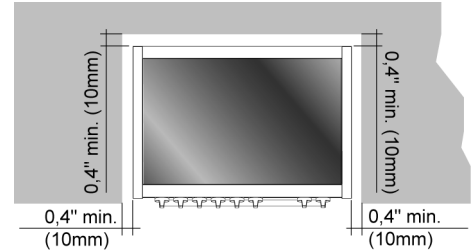


4.2 Cutout Requirements

CAUTION

The unit must be coated with **heat-resistant material** (minimum 194°F / 90°C).

Leave the **minimum clearances** suggested in the diagram.



This range may be installed directly adjacent to existing countertop high cabinets (36" or 91,5 cm from the floor). For the best look, the worktop should be level with the cabinet countertop. This can be accomplished by raising the unit using the adjustment spindles on the legs.

ATTENTION: the range CANNOT be installed directly adjacent to kitchen walls, tall cabinets, tall appliances, or other vertical surfaces above 36" (91,5 cm) high. The minimum side clearance in such cases is 6" (15,2 cm).

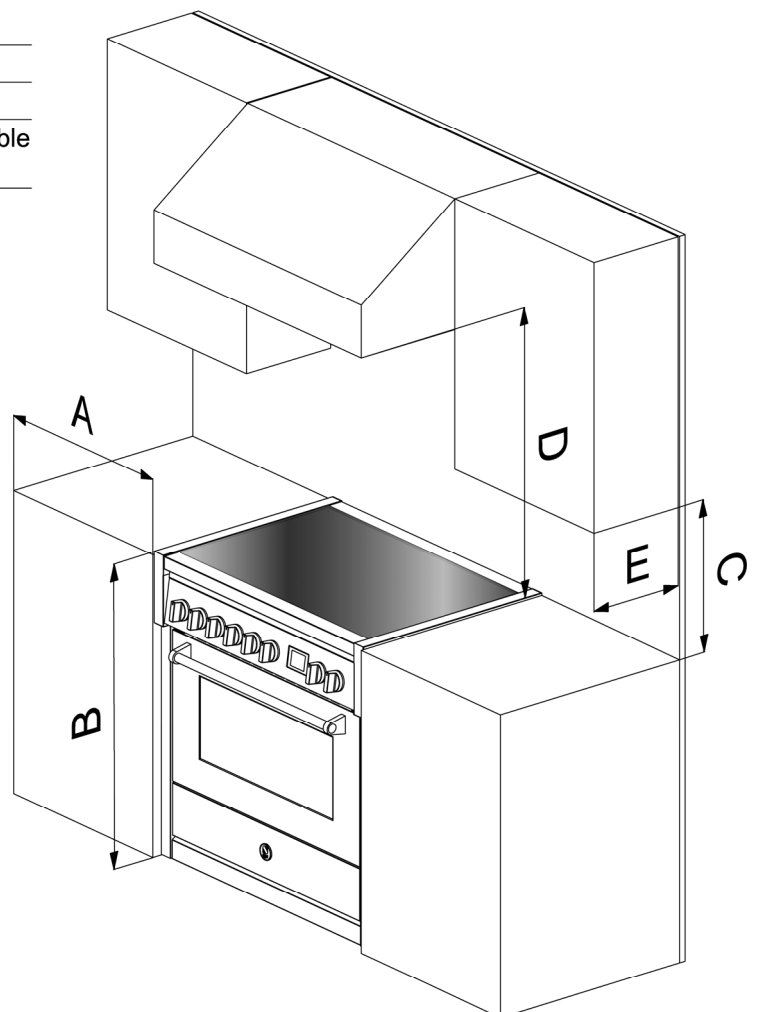
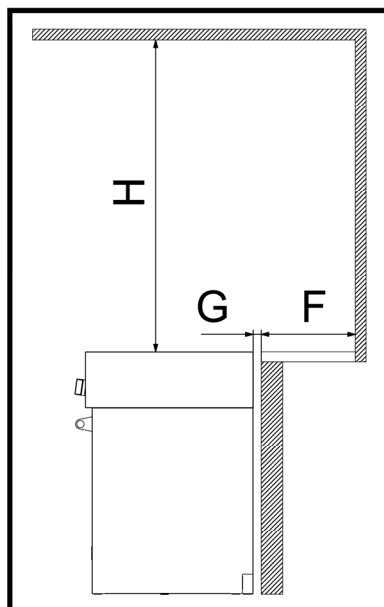
Wall cabinets with minimum side clearance must be installed 18" (45,7 cm) above the countertop with countertop height between 35" ⁷/₁₆ (90 cm) and 36" ³/₁₆ (92 cm). The maximum depth of wall cabinets above the range shall be 13" (33 cm).

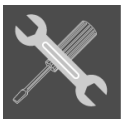
Cabinet

A	6 (15,2cm)
B	35 ⁷ / ₁₆ (90cm) / 36 ³ / ₁₆ (92cm)
C	18 (45,7cm)
D	36 (91,5cm) hood with combustible materials
E	13 (33cm)

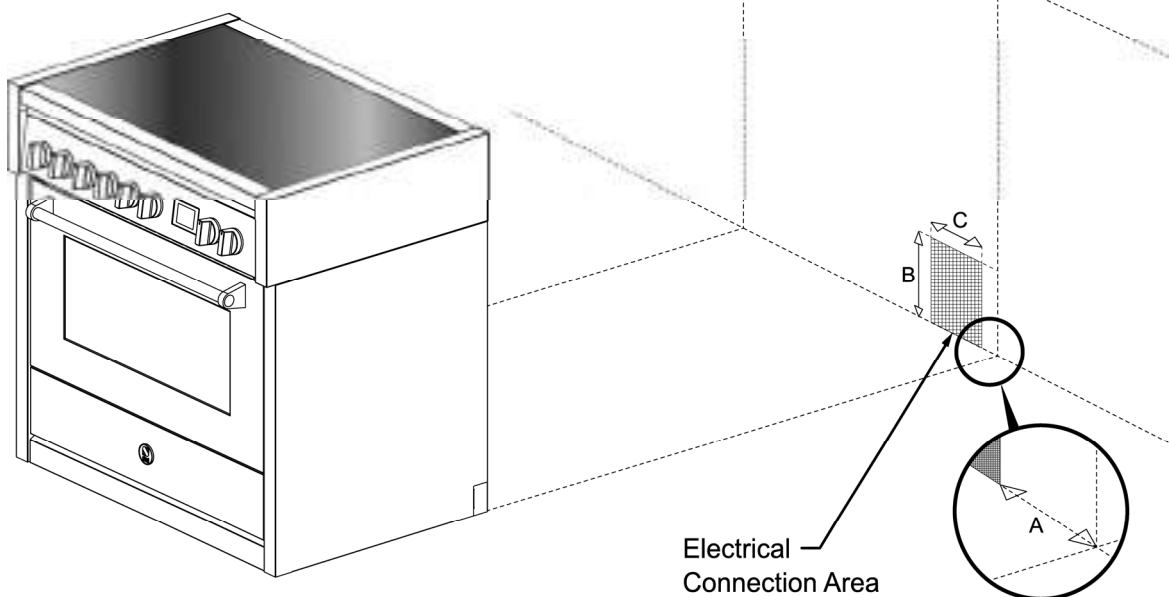
Metal Hood

F	12 (30,5cm)
G	1 ⁹ / ₁₆ (4cm)
H	25 ¹ / ₂ (65cm) / 31 ¹ / ₂ (80cm)





- A 19/16 (4cm)
- B 9 1/8 (23cm)
- C 7 5/8 (20cm)



4.3 General Warnings

WARNING

The following operations must be carried out by a qualified installing technician. The installing technician is responsible for correctly installing the appliance according to current safety standards. Before using the appliance, remove the protective plastic on the control panel, stainless steel parts, etc...

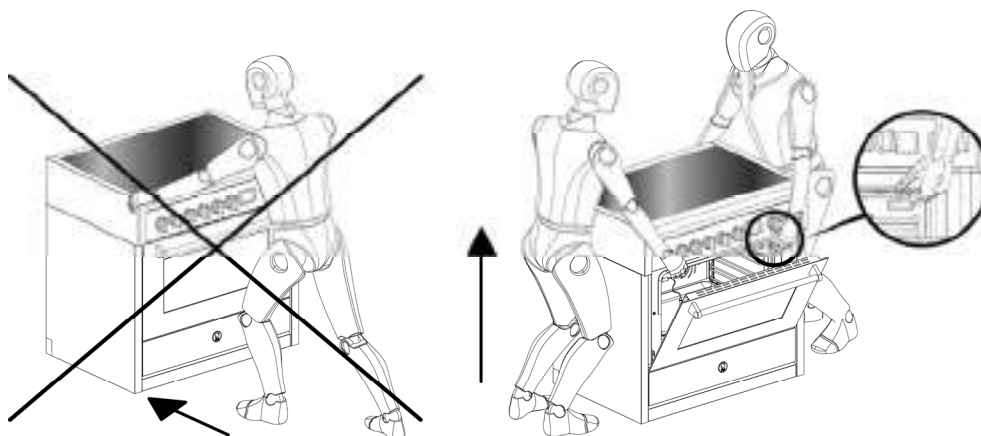
The manufacturer declines any responsibility for damage incurred by persons, animals or objects that is caused by not following the above guidelines (cfr. chapter "3. Warnings for safety and use").

CAUTION

The feet are not suitable for moving the appliance over long distances.

Do not use the oven door handle for lifting or handling, including while unpacking the appliance.

Due to the weight and size of the range and to reduce the risk of personal injury or damage to the product: **two or more people are required for proper installation.**





4.4 Stability feet

⚠ CAUTION

The cooker comes with standard feet installed. **To ensure the stability of the cooker it is mandatory to fit the extra feet provided.**

The feet are not suitable for moving the appliance over long distances.

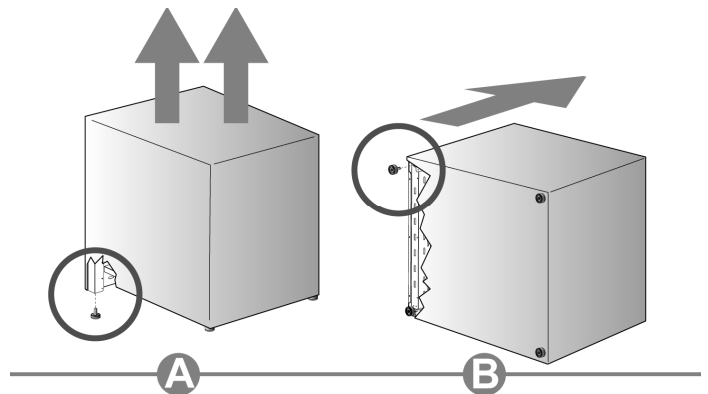
⚠ NOTICE

Before turning the cooker over, we recommend removing all the parts that are not stably attached to it. To lighten the weight of the cooker, the accessories inside the oven may also be removed, thereby preventing accidental damage during the overturning operation.

Proceed in either of the following ways to fit the feet:

- A** Lifting the cooker off the floor.
- B** Laying the cooker on its back.

Remove the feet from the packing and screw them to the bottom of the cooker.



⚠ NOTICE

Make the final adjustment of the feet, to level the cooker to the floor, **after completing the electrical connections.**

4.5 Anti-Tip Bracket Installation

⚠ WARNING

Tip-Over Hazard

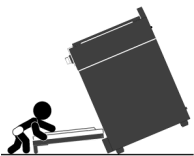
A child or adult can tip the range and be killed.

Verify the anti-tip bracket has been installed.

Ensure the anti-tip bracket is engaged when the range is moved.

Do not operate the range without the anti-tip bracket in place.

Failure to follow these instructions can result in death or serious burns to children and adults.

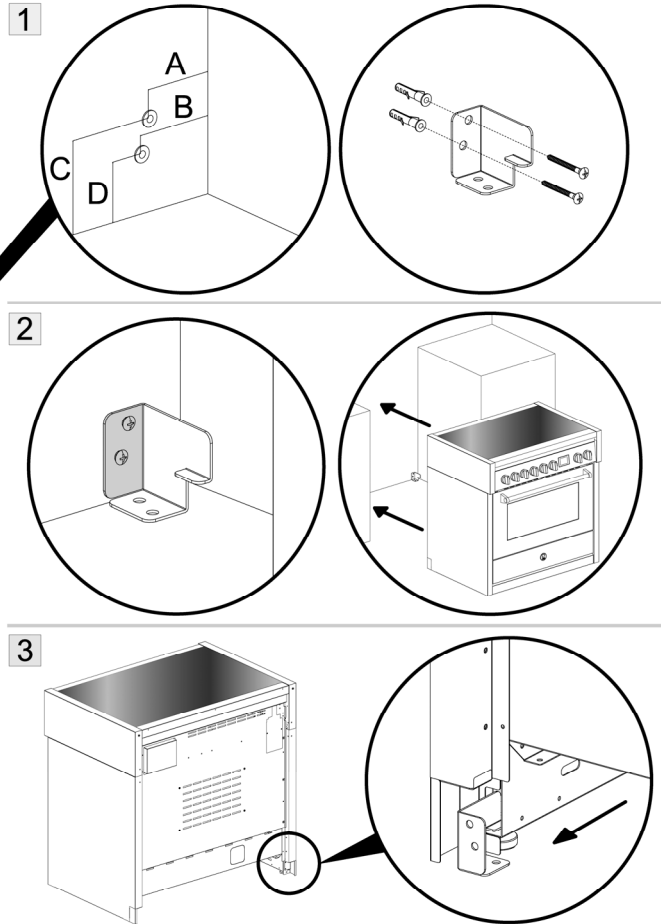
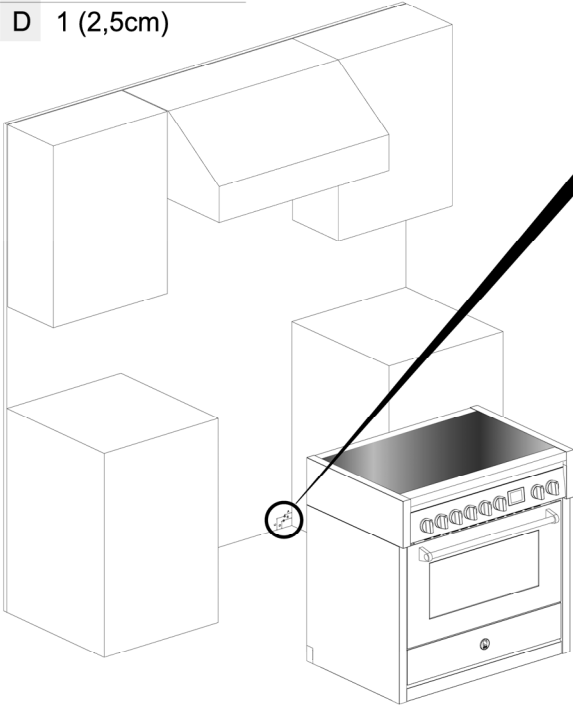


The anti-tip bracket shipped with the range **must be properly secured to the rear wall or floor** as shown in the pictures below. Slide the range against the wall until the brackets are fully inserted into their receptacles on the back of the range.



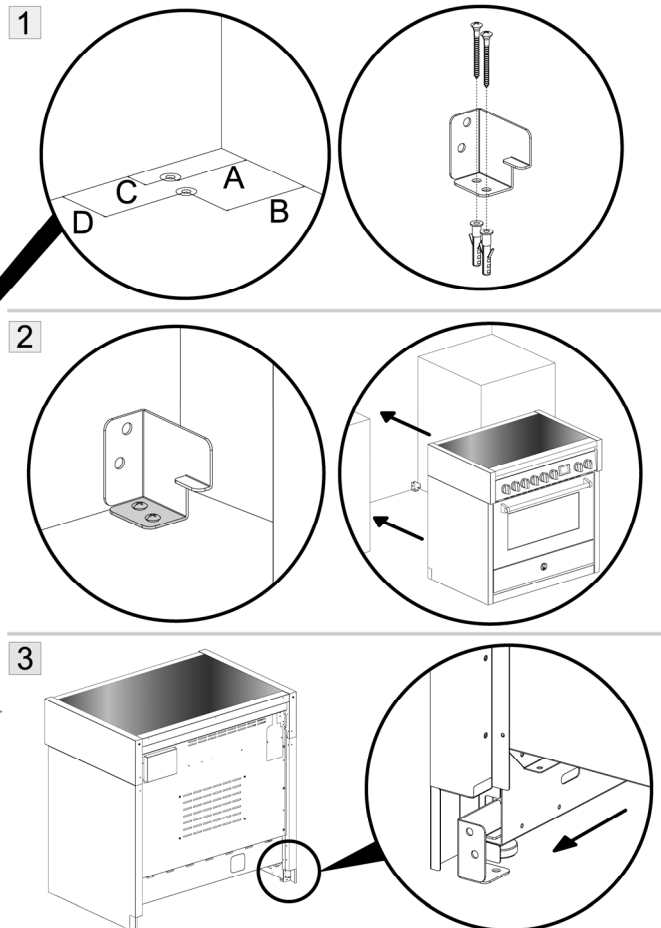
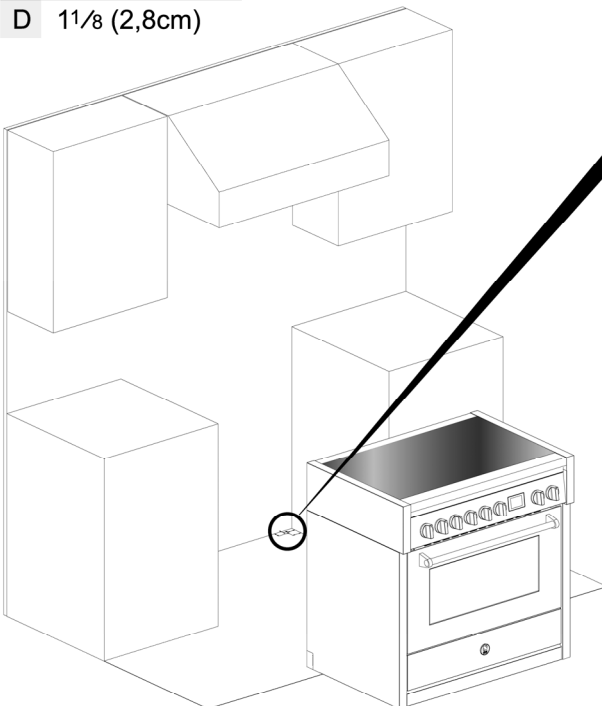
A) Wall fastening

- A 1 1/2 (3,8cm)
- B 1 11/16 (4,3cm)
- C 1 11/16 (4,3cm)
- D 1 (2,5cm)



B) Floor fastening

- A 1 9/16 (4cm)
- B 1 11/16 (4,3cm)
- C 1/2 (1,3cm)
- D 1 1/8 (2,8cm)





4.6 Fitting the front moulding

For some cooker models, a front moulding is available to complement its aesthetics.

! NOTICE

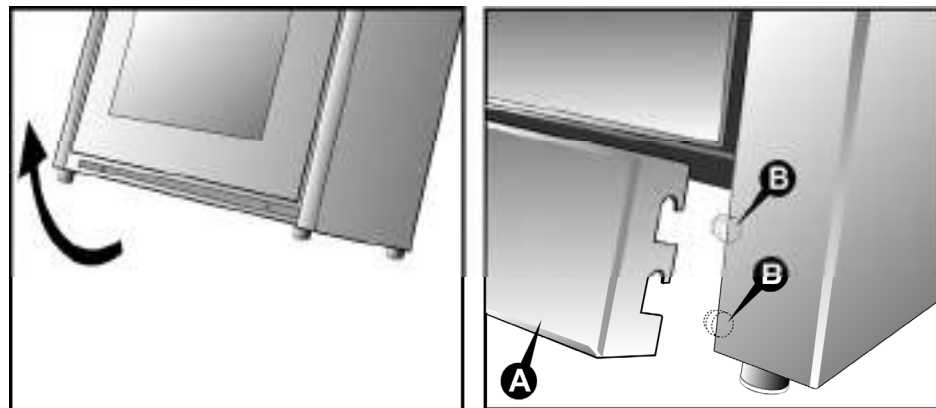
Before turning the cooker over, we recommend removing all the parts that are not stably attached to it. To lighten the weight of the cooker, the accessories inside the oven may also be removed, thereby preventing accidental damage during the overturning operation.

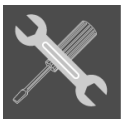
4.6.1 Genesi series cooker

The moulding is supplied as a standard fitting with the **Genesi** series.

To assemble, proceed as follows:

- tilt the cooker backwards;
- align the moulding **A** with the mounting position as shown in the illustration;
- apply the moulding until it fits into the mounting position;
- pull the moulding downward so that it hooks onto the 4 pins **B** (two on each side) present on the cooker.

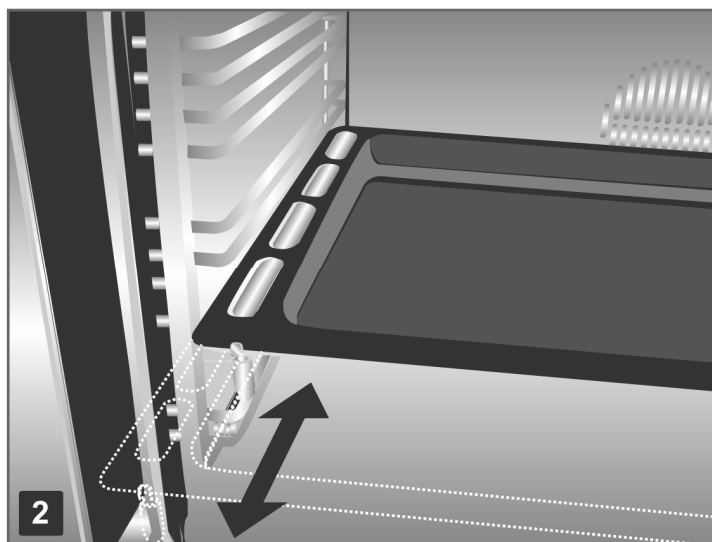
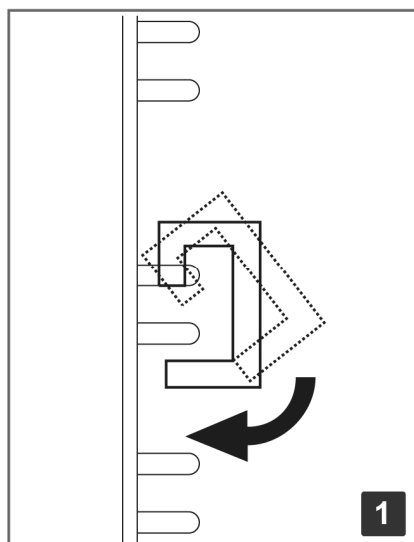
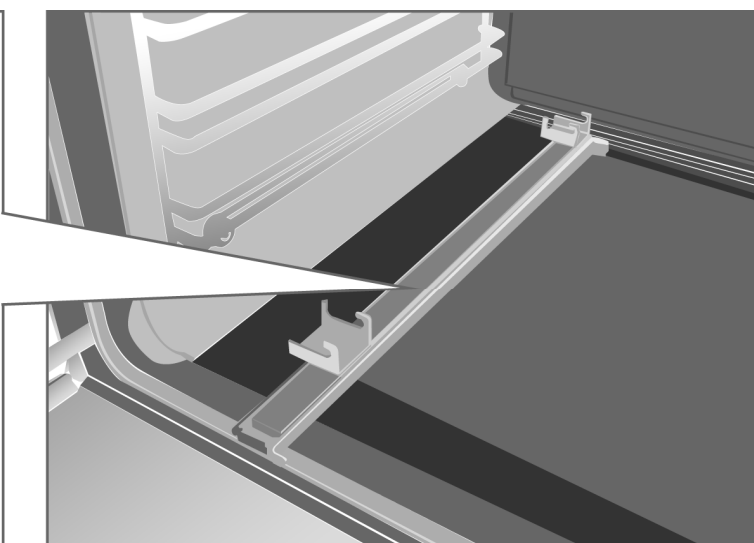
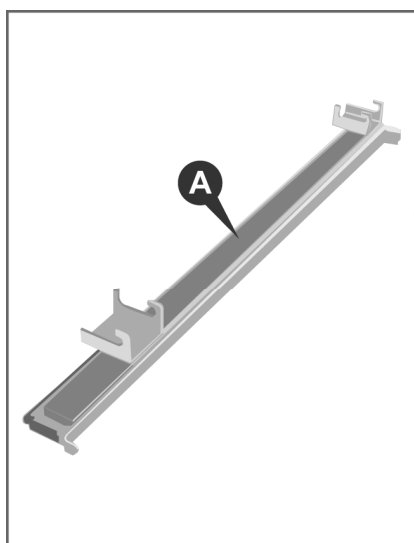




4.7 Fitting the telescopic guides

Proceed as follows to install:

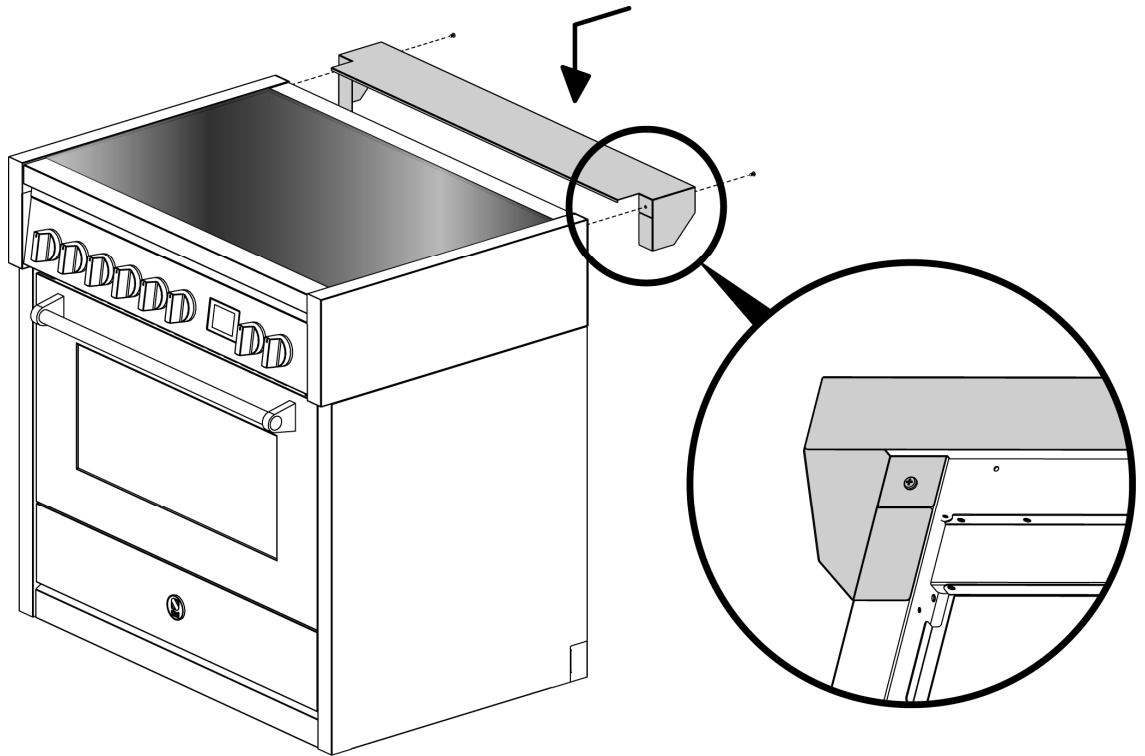
- remove the telescopic guides **A** from the packing and remove all protective film;
- remove all the accessories that are inside the oven;
- position the telescopic guide to the required height by coupling the upper side to the frame (detailed drawing **1**) and then rotate it until the lower side couples; repeat this operation for the opposite side and the other levels;
- slide the telescopic guides forward and position the chosen accessory as shown in detailed drawing **2**;
- reinsert the previously removed accessories into the oven.

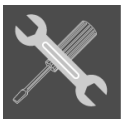




4.8 Fitting the Backguard

The backguard must be installed **prior to operation of the appliance** for appropriate ventilation of the oven compartment. To assemble, proceed as shown.





5. Electrical connection

! WARNING

ELECTRICAL SHOCK HAZARD

Disconnect electrical power at the circuit breaker box or fuse box before installing the appliance.

Provide appropriate ground for the appliance.

Use copper conductors only.

Failure to follow these instructions could result in serious injury or death.

! CAUTION

Prepare an omni-polar cutoff device on the power supply line of the appliance with a contact opening distance equal to or more than **0,1" (3 mm)**, located in a convenient position near the appliance.

Make sure that the relief valve and the home wiring system are able to withstand the appliance load.

The plug at the end of the power supply cable and the wall socket must be the same type and must comply with current electric standards. Check that the mains is adequately earthed.

Before making the electric connection, make sure of the efficiency of the earthing.

Once the appliance has been installed make sure that the plug is accessible to allow the periodical check-up.

The green earth cable must not be subject to cutoffs.

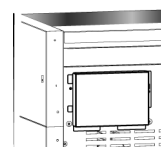
The electric cable must not come into contact with parts whose temperature is more than **122°F (50°C)** higher than room temperature.

Do not use reducers, adapters or shunts.

5.1 Connecting and replacing the electric cable

! NOTICE

To connect the electric cable, it is necessary to access the **terminal board**. It is located on the back of the appliance as shown in the figure.



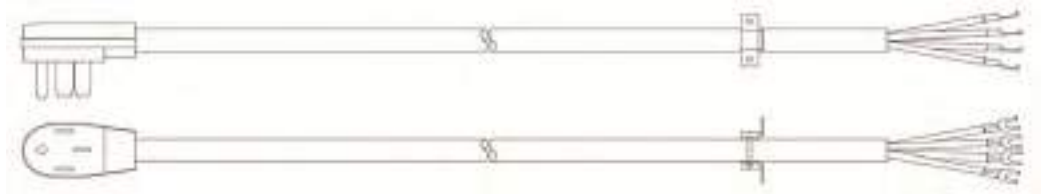
Proceed as follows:

- open the terminal board box;
- unscrew the screw **A** (that locks the cable);
- loosen the screw contacts and consult the section "5.2 Type of power supply" to connect the **supplied** cable to the terminal board.





This appliances **is proequipped** at the factory with an electric supply cord set 4 wires type with ¼" flanged spade terminals (L1, L2, N, Ground) suitable for range use UL/CSA listed type SRDT 2x6AWG + 2x8AWG rated for 125/250 VAC, 50A with plug type NEMA 14-50P; cable length 4'.

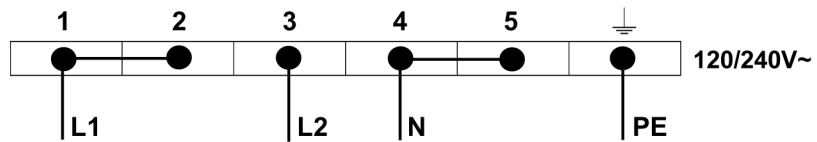


NOTICE

In case the supply cord set must be replaced, it shall be replaced with and **identical set having the same technical specs.**

5.2 Type of power supply

Move the unconnected cable ends on the terminal board as shown in the following diagram.



Wire colours:

- **green:** PE ground;
- **red:** L1 phase 1;
- **black:** L2 phase 2;
- **white:** N neutral.

COOKER 1 OVEN	POWER kW
COOKER INDUCTION HOB (1 OVEN) (5 ELEMENTS)	14,7



6. Ventilation preparation



Before installation of the exhaust hood, consult local or regional building and installation codes for additional specific clearance requirements. Refer to the range hood installation instructions provided by the manufacturer for additional information.

For wall installations, the hood should be equal or larger width than the range. Where space permits, a hood larger than the range may be desirable for improved ventilation performance.

For island installations, the hood width should overhang the range by a minimum of 3" (76mm) on each side.

For best removal of smoke and odors, the lower edge of the hood should be installed between 25" ½ (65 cm) and 31" ½ (80 cm) above the range cooking surface.

If the hood contains any combustible materials (i.e. a wood covering), it must be installed at a minimum of 36" (914 mm) above the cooking surface.

Due to the high volume of ventilation air, a source of outside replacement air is recommended. This is particularly important for tightly sealed and insulated homes. A qualified heating and ventilating contractor should be consulted.

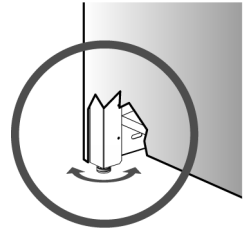


7. Final operations

Before using the oven for food preparation, wash the cavity thoroughly with a warm soap and water solution to remove film residues and any dust or debris from installation, then rinse and wiped dry.

7.1 Levelling the cooker to the floor

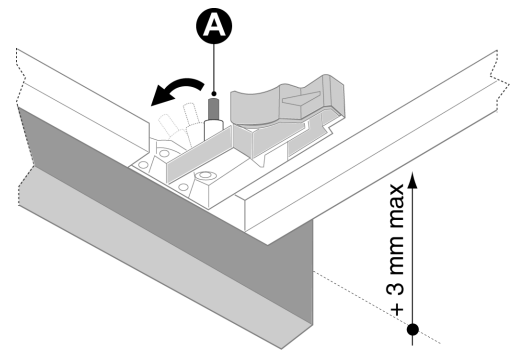
After having made the electrical hook-ups, level the cooker to the floor using the adjustable feet onto the bottom of the cooker.



7.2 Adjustment of the drawer height

The clips of height adjustment are located in the lower side and at the right and left ends of the drawer.

By turning the lever **A** the drawer will raise of **0,1"** (**3 mm**).



7.3 Installation Checklist

<input checked="" type="checkbox"/>	Is the range mounted on its legs?
<input checked="" type="checkbox"/>	Is the backguard securely connected?
<input checked="" type="checkbox"/>	Has the anti-tip device been properly installed?
<input checked="" type="checkbox"/>	Does the clearance from the side cabinets comply with the manufacturers directions?
<input checked="" type="checkbox"/>	Is the electricity properly grounded?
<input checked="" type="checkbox"/>	Does the oven light work properly?

 **DANGER**

Il fait référence à une situation dangereuse qui, si elle n'est pas évitée, causera des dommages irréversibles.

 **AVERTISSEMENT**

Il fait référence à une situation dangereuse qui, si elle n'est pas évitée, peut causer de graves dommages.

 **ATTENTION**

Il fait référence à une situation dangereuse qui, si elle n'est pas évitée, expose à un risque de blessure ou de dommage.

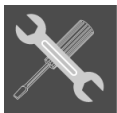
 **AVIS**

Il renvoie à des informations utiles et nécessaires à mettre en évidence.

AVIS

Le présent manuel fait partie intégrante du produit acheté. L'opérateur est tenu de conserver correctement le présent manuel et de faire en sorte qu'il soit toujours disponible pour la consultation pendant les opérations d'utilisation et de maintenance du produit. Conserver le présent manuel pour toute référence future. En cas de revente du produit, le présent manuel devra être transféré à tout détenteur ou utilisateur ultérieur du produit.

Le fabricant décline toute responsabilité pour les inexactitudes, imputables à des erreurs d'impression ou de transcription, contenues dans cette notice. Il se réserve le droit d'apporter les modifications qu'il juge nécessaires ou utiles à ses produits, même dans l'intérêt de l'utilisateur, sans pour autant compromettre les caractéristiques essentielles relatives au fonctionnement et à la sécurité.

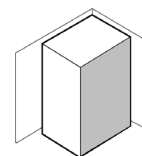


INSTRUCTIONS POUR L'INSTALLATEUR: elles s'adressent à un **technicien qualifié**. Ce dernier devra effectuer l'installation, la mise en service et le branchement de l'appareil.

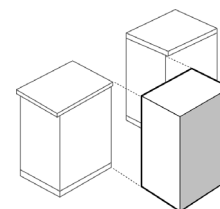
CLASSES DES APPAREILS

Les appareils de cuisson décrits dans ce manuel appartiennent aux classes d'installations suivantes:

- **Classe 1:** Sol soutenu.



- **Classe 2 – sous classe 1:** Unité coulissante.



1. Informations générales	26
1.1 Assistance technique	26
2. Instructions importantes	26
3. Avertissements pour la sécurité et l'utilisation	27
3.1 Plaque d'identification des données	28
4. Installation	29
4.1 Dimensions	29
4.2 Exigences de découpe	30
4.3 Avertissement général	31
4.4 Pieds de stabilité	32
4.5 Installer le support anti-basculement	32
4.6 Montage de la moulure avant	34
4.7 Montage des guides télescopiques	35
4.8 Montage de la protection arrière	36
5. Connexion électrique	37
5.1 Connexion et changement du câble électrique	37
5.2 Type d'alimentation	38
6. Préparation de la ventilation	39
7. Opérations finales	40
7.1 Mise à niveau de la cuisinière au sol	40
7.2 Réglage en hauteur du tiroir	40
7.3 Liste de contrôle d'installation	40

1. Informations générales

1.1 Assistance technique

Cet appareil avant de quitter l'usine, a été vérifié et mis au point par du personnel expert et spécialisé afin de garantir les meilleurs résultats de fonctionnement. Toute réparation ou mise au point ultérieure devra être effectuée avec le maximum de soin et d'attention. Nous vous recommandons de vous adresser au Concessionnaire qui vous a vendu l'appareil ou à notre Centre d'Assistance le plus proche en spécifiant le type de problème et le modèle de l'appareil.

2. Instructions importantes

Installation correcte – Assurez-vous que votre appareil est correctement installé et mis à la terre par un technicien qualifié.

N'utilisez jamais votre appareil pour réchauffer ou chauffer la pièce.

Ne laissez pas les enfants seuls – Les enfants ne doivent pas être laissés seuls ou sans surveillance dans la zone où l'appareil est utilisé. Ils ne doivent jamais être autorisés à s'asseoir ou à se tenir debout sur une quelconque partie de l'appareil.

Portez des vêtements appropriés – Ne portez jamais de vêtements amples ou suspendus pendant l'utilisation de l'appareil.

Entretien par l'utilisateur – Ne réparez ni ne remplacez aucune pièce de l'appareil à moins que cela ne soit spécifiquement recommandé dans le manuel. Toute autre réparation doit être confiée à un technicien qualifié.

Stockage dans ou sur l'appareil – Les matériaux inflammables ne doivent pas être stockés dans un four ou à proximité d'éléments de surface.

Ne pas utiliser d'eau sur les feux de graisse – Éteindre le feu ou les flammes ou utiliser un extincteur à poudre ou à mousse.

Utilisez uniquement des maniques sèches – Des maniques humides ou humides sur des surfaces chaudes peuvent entraîner des brûlures dues à la vapeur. Ne laissez pas la manique toucher les éléments chauffants chauds. N'utilisez pas de serviette ou autre tissu volumineux.

Soyez prudent lorsque vous ouvrez la porte – Laissez l'air chaud ou la vapeur s'échapper avant de retirer ou de replacer les aliments.

Ne chauffez pas les contenants alimentaires non ouverts – L'accumulation de pression peut faire éclater le contenant et entraîner des blessures.

Gardez les conduits de ventilation du four dégagés.

Placement des grilles du four – Placez toujours les grilles du four à l'endroit désiré pendant que le four est froid. Si la grille doit être déplacée alors que le four est chaud, ne laissez pas la manique entrer en contact avec l'élément chauffant chaud du four.

N'utilisez JAMAIS de papier d'aluminium pour recouvrir les grilles ou le fond du four. Cela pourrait entraîner un risque d'électrocution, d'incendie ou d'endommagement de l'appareil. Le papier d'aluminium peut provoquer des craquelures et/ou des fissures dans l'émail du four.

Ne JAMAIS recouvrir une fente, un trou ou une conduite dans le fond du four ni recouvrir entièrement une grille d'un matériau comme du papier d'aluminium. Un tel revêtement bloque la circulation d'air dans le four. De plus, le papier d'aluminium peut emprisonner la chaleur, ce qui risque de provoquer un incendie.

3. Avertissements pour la sécurité et l'utilisation

DANGER

L'appareil doit être utilisé par des personnes adultes. Ne pas permettre aux enfants de s'en approcher ou d'en faire un objet de jeu. Éviter de poser sur l'appareil des objets pouvant attirer l'attention des enfants. Le réchauffement certaines parties de l'appareil et des casseroles utilisées peuvent devenir des sources de danger potentiel, par conséquent, pendant le fonctionnement, et pendant toute le temps nécessaire au refroidissement, il convient de disposer les casseroles de manière à éviter tout danger de brûlures ou de renversement. Éviter de laisser la porte du four ouverte aussi bien pendant le fonctionnement que dans les minutes suivant l'extinction. Éviter également tout contact avec les éléments chauffants du four.

S'appuyer ou s'asseoir sur la porte du four ouverte, des tiroirs peut faire basculer l'appareil et être dangereux pour les personnes.

Ne jamais mettre d'objets inflammables dans le four: si le four est allumé cela peut provoquer un incendie. **En cas d'incendie couper le courant électrique.** Ne pas jeter d'eau sur de l'huile en feu ou en train de frire. Ne pas entreposer de produits inflammables ou de bouteilles aérosols pres de l'appareil.

Ne pas poser sur le plan à induction des poeles qui n'ont pas un fond parfaitement lisse et régulier.

Ne pas utiliser des récipients gril pouvant dépasser le périmètre externe du plan à induction.

AVERTISSEMENT

Ce manuel fait partie intégrante de l'appareil. Il est nécessaire de le conserver intégralement et de le garder à portée de main durant toute la durée de vie de la cuisinière. Nous vous conseillons de lire attentivement toutes les instructions contenues dans ce manuel avant d'utiliser la cuisinière.

Important – Conserver ce manuel à l'intention de l'inspecteur électrique local.

L'installation devra être effectuée par un installateur qualifié et dans le respect des normes en vigueur. Cet appareil est prévu pour un emploi de type domestique, il est conforme aux directives actuellement en vigueur.

La cuisinière doit être installée:

- Aux États-Unis selon le code électrique national/de l'État et les codes municipaux codes et/ou les codes locaux.
- Au Canada, selon le code électrique canadien C22.1-dernière édition/codes provinciaux et municipaux et/ou les codes locaux.

L'utilisation professionnelle et l'installation dans des établissements publics tels que restaurants, cafés, cantines d'entreprise et tout autre emploi autre que celui indiqué entraîne la nullité immédiate de la garantie.

L'appareil est construit pour effectuer les fonctions suivantes: **cuire et réchauffer des aliments**, il n'est adapté à aucune autre utilisation. **Le constructeur decline toute responsabilité pour des utilisations différentes de celles indiquées.**

Au moment de l'achat, l'opérateur devient le responsable direct du produit et il doit donc s'assurer que, par une utilisation normale, il ne se produit pas d'instabilité, de déformations, de ruptures ou d'usures pouvant en diminuer la sécurité.

Le produit est pensé et fabriqué de manière à pouvoir fonctionner en toute sécurité et à ne pas présenter de dangers pour les personnes, les animaux domestiques et les biens matériels.

Si la cuisinière est placée sur un piédestal, il faut prendre des mesures pour éviter que l'appareil ne glisse du piédestal.

AVERTISSEMENT

Ne JAMAIS utiliser cet appareil électroménager en guise de chauffe-électrique. Le fait de chauffer une pièce ainsi peut entraîner une surchauffe du four.

! ATTENTION

Le branchement terre doit être effectuée selon les modalités prévues par les normes de sécurité de l'installation électrique.

La fiche à relier au câble d'alimentation et la prise devront être du même type et conformes aux normes en vigueur. Après l'installation de l'appareil s'assurer que la fiche de prise de courant soit accessible pour l'inspection périodique. **Ne jamais débrancher la prise en tirant le câble.**

Juste après l'installation effectuer un test de branchement de l'appareil en suivant les instructions décrites plus loin. Si l'appareil ne fonctionne pas le débrancher du réseau électrique et appeler le Centre d'Assistance Technique le plus proche. **Ne pas tenter de le réparer soi-même.**

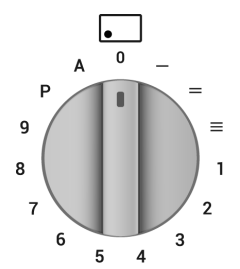
Ne pas laisser les restes d'emballage sans surveillance dans le cadre de votre foyer. Séparer les différents matériaux de rebut provenant de l'emballage et déposez les dans le centre de tri le plus proche de chez vous.

L'appareil mis hors service devra être déposé dans un centre de tri des déchets. Couper le cordon d'alimentation après avoir débranché la fiche de la prise de courant. Sécuriser les parties qui peuvent constituer un danger pour les enfants (portes, etc.).

Le constructeur décline toute responsabilité concernant d'éventuels dommages sur des personnes ou des choses, causés par le non-respect des instructions décrites ci-dessus ou dérivants d'une utilisation inappropriée d'une partie de l'appareil ou de l'utilisation de pièces de rechange non originales.

! ATTENTION

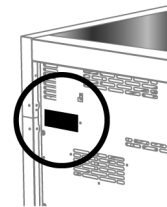
A la fin de chaque utilisation du plan à induction, vérifier toujours que les boutons sont en position "0" (éteint).

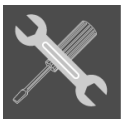
**3.1 Plaque d'identification des données****! AVERTISSEMENT**

La plaque d'identification des données portant les caractéristiques techniques, le numéro de série et le marquage est clairement visible à l'arrière de l'appareil; une copie est jointe en annexe au manuel.

Une seconde plaque se trouve à l'intérieur de l'appareil sur le flanc gauche et est visible en ouvrant la porte du four.

Les plaques ne doivent jamais être enlevées.

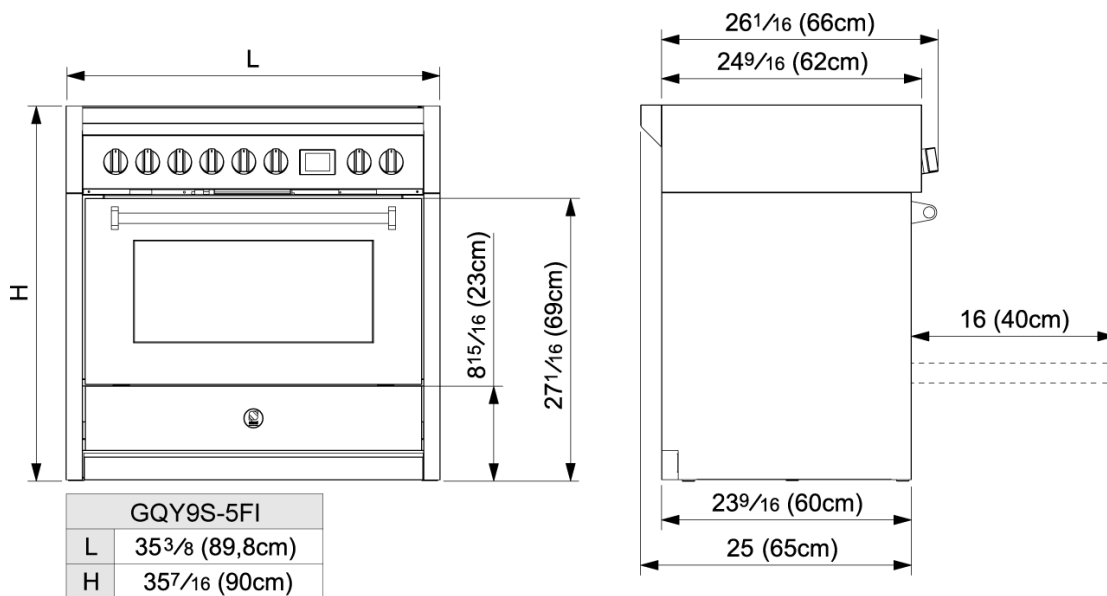




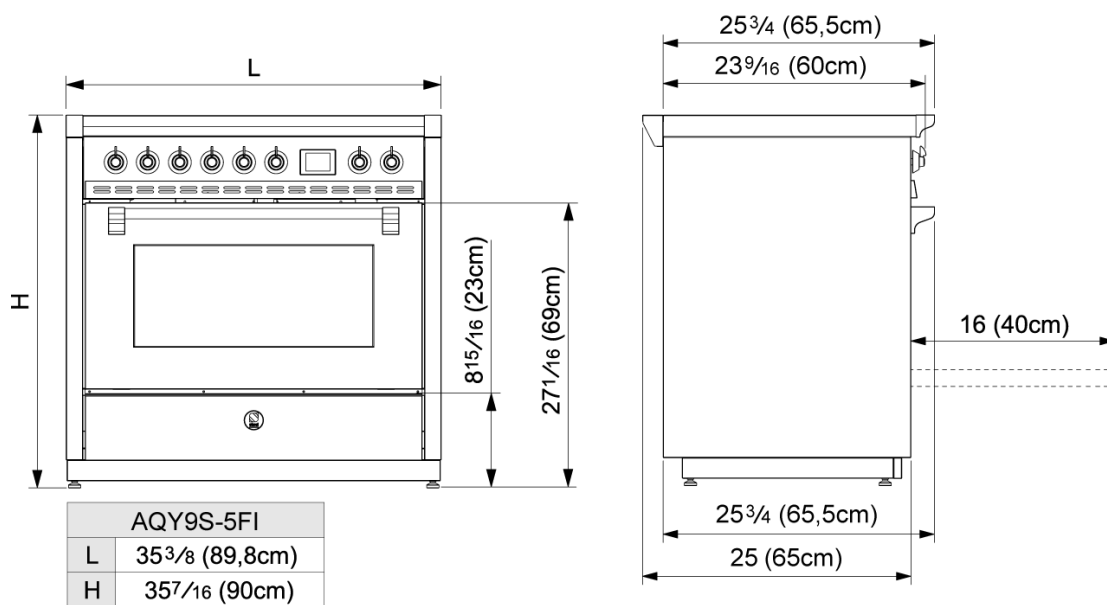
4. Installation

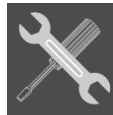
4.1 Dimensions

GENESI



ASCOT



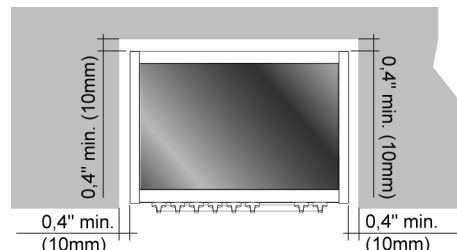


4.2 Exigences de découpe

ATTENTION

Le revêtement du meuble doit être constitué d'un **matériau résistant à la chaleur (minimum 194°F / 90°C)**.

Laissez les **dégagements minimaux** suggérés dans le schéma.



Cette cuisinière peut être installée à proximité directe de plans de travail avec meubles intégrés (36" ou 91,5 cm par rapport au sol). Pour un aspect optimal, la surface de la cuisinière doit être au même niveau que celle du plan de travail avec meuble intégré. Pour ce faire, régler la hauteur de l'appareil en agissant sur les dispositifs de réglage des pieds.

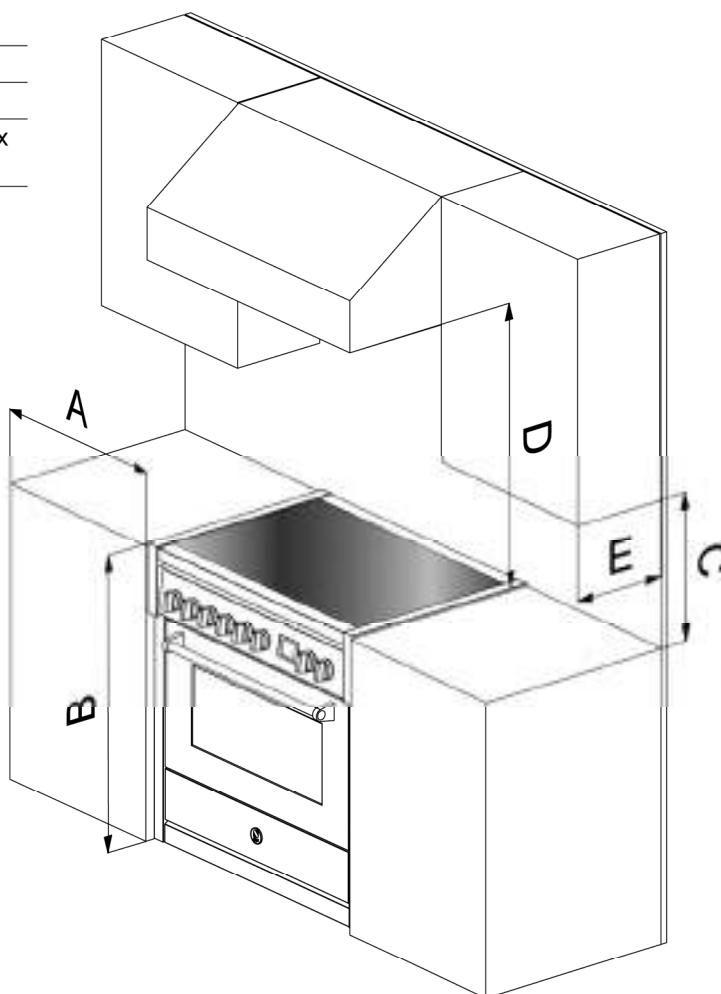
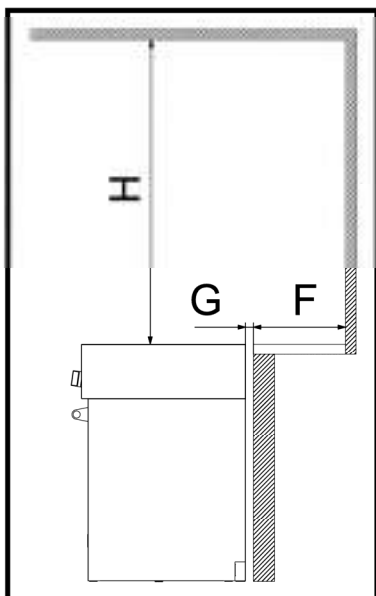
ATTENTION : la cuisinière NE DOIT PAS être installée à proximité directe des murs de la cuisine, de meubles ou d'appareils hauts, ou d'autres surfaces verticales de plus de 36" (91,5 cm) de hauteur. Dans ces cas, l'espace latéral doit être d'au moins 6" (15,2 cm). Les meubles muraux présentant cet espace latéral minimum doivent être installés à 18" (45,7 cm) au-dessus du plan de travail, avec une hauteur de plan de travail comprise entre 35" ⁷/₁₆ (90 cm) et 36" ³/₁₆ (92 cm). La profondeur maximale des meubles muraux au-dessus de la cuisinière doit être de 13" (33 cm).

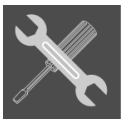
Meuble de cuisine

A	6 (15,2cm)
B	35 ⁷ / ₁₆ (90cm) / 36 ³ / ₁₆ (92cm)
C	18 (45,7cm)
D	36 (91,5cm) hotte avec matériaux combustibles
E	13 (33cm)

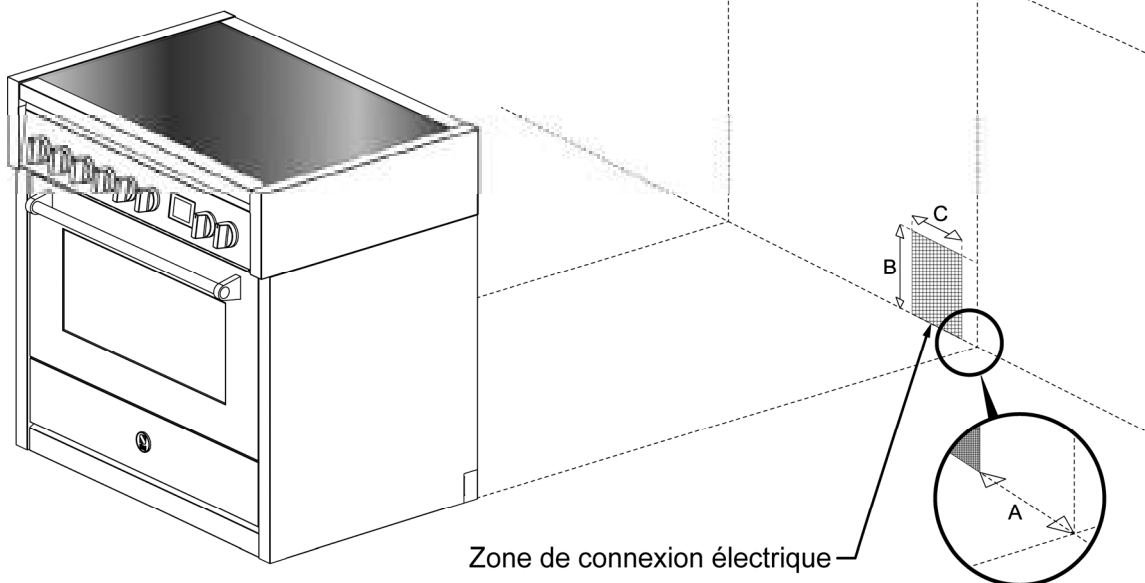
Hotte métallique

F	12 (30,5cm)
G	1 ⁹ / ₁₆ (4cm)
H	25 ¹ / ₂ (65cm) / 31 ¹ / ₂ (80cm)





- A $19/16$ (4cm)
- B $91/8$ (23cm)
- C $75/8$ (20cm)



4.3 Avertissement général

! AVERTISSEMENT

Les installations suivantes devront être effectuées par un technicien installateur qualifié. Le technicien installateur est responsable de la bonne mise en marche selon les normes de sécurité en vigueur. Avant d'utiliser l'appareil, enlever les protections en plastique sur le panneau de commandes, sur les parties en acier inox, etc.

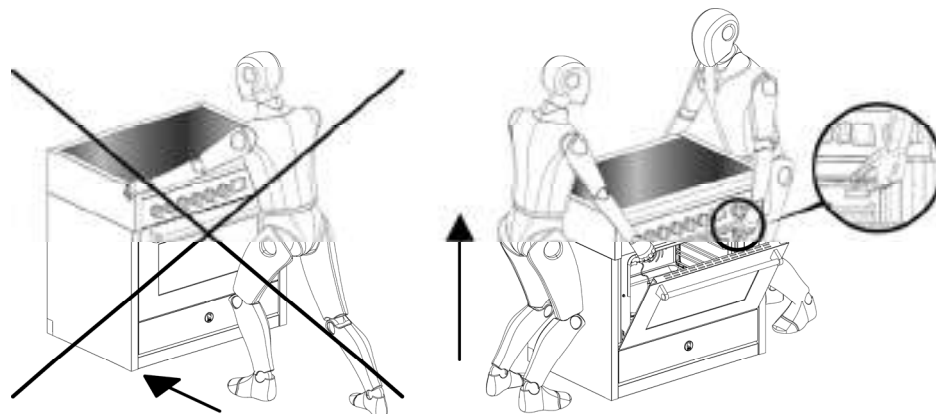
Le constructeur décline toute responsabilité concernant d'éventuels dommages sur des personnes, des animaux ou des choses provoqués par le non-respect des normes indiquées ci-dessus (cf. chapitre "3. Avertissements pour la sécurité et l'utilisation").

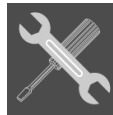
! ATTENTION

Les pieds ne sont pas adaptés au déplacement de l'appareil sur de longues distances.

Ne pas utiliser la poignée de la porte du four pour les opérations de levage et de manutention, y compris celle nécessaire pour enlever l'appareil de l'emballage.

En raison du poids et de la taille de la cuisinière et pour réduire le risque de blessures ou de dommages au produit : **deux personnes ou plus sont nécessaires pour une installation correcte.**





4.4 Pieds de stabilité

! ATTENTION

La cuisinière est livrée avec les pieds standard montés. **Pour assurer la stabilité de la cuisinière, il est obligatoire monter les pieds supplémentaires fournis.**

Les pieds ne sont pas adaptés au déplacement de l'appareil sur de longues distances.

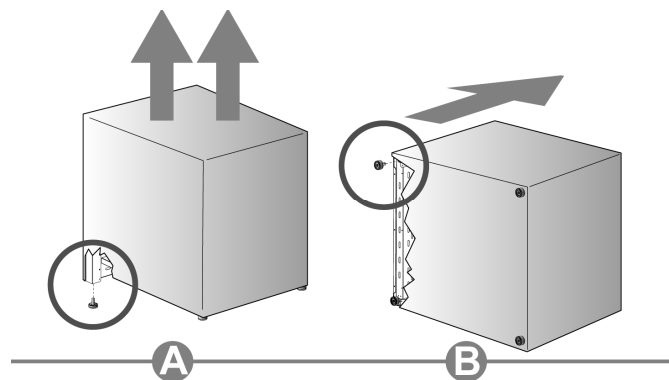
! AVIS

Avant de procéder au retournement de la cuisinière, il est conseillé d'enlever toutes les parties qui ne sont pas fixées de façon stable à la cuisinière. Pour alléger le poids de la cuisinière, il est conseillé d'enlever aussi les accessoires présents à l'intérieur du four, de façon à éviter toute détérioration accidentelle au cours de l'opération de retournement.

Pour monter les pieds, il est possible de procéder de deux façons:

- A** En soulevant l'appareil du sol.
- B** En couchant l'appareil sur l'arrière.

Sortir les pieds de l'intérieur de l'emballage et les visser sur le fond de la cuisinière.



! AVIS

Le réglage final des pieds, pour mettre à niveau l'appareil au sol, **devra être fait au terme des branchements électrique.**

4.5 Installer le support anti-basculement

! AVERTISSEMENT

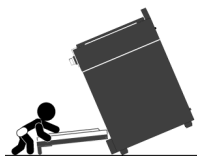
Risque de basculement

Une personne, enfant ou adulte, peut faire basculer la cuisinière et subir des blessures mortelles. Vérifier si le support anti-basculement a été installé.

S'assurer que le support anti-basculement est engagé lorsque la cuisinière est déplacée.

Ne pas utiliser la cuisinière si le support anti-basculement n'est pas installé.

Le non-respect de ces directives expose enfants et adultes à un risque de décès ou de brûlures graves.

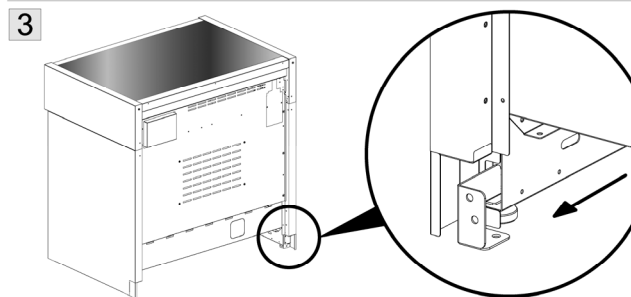
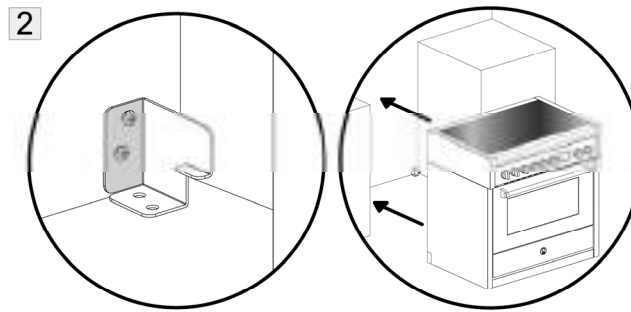
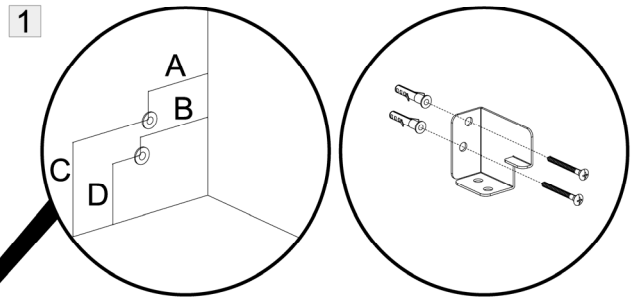
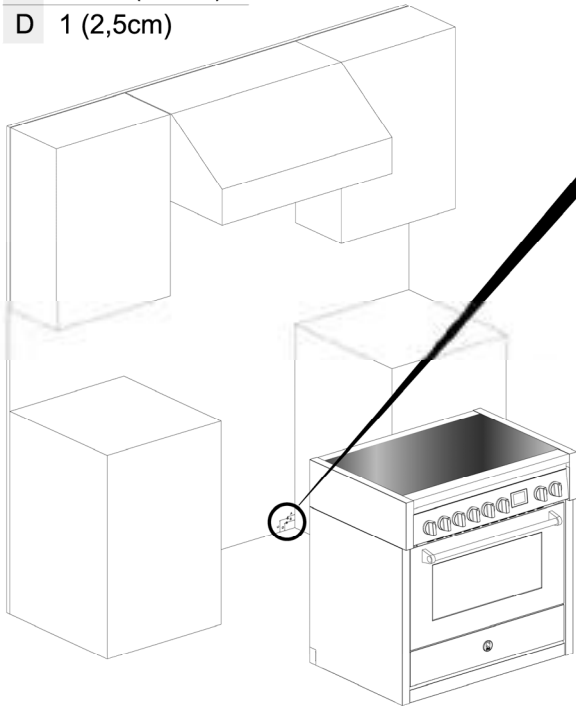


Le support anti-basculement livré avec la cuisinière **doit être correctement fixé au mur postérieur ou au sol**, comme indiqué sur les images. Faire glisser la cuisinière contre le mur jusqu'à ce que les supports soient complètement insérés dans leurs logements à l'arrière de la cuisinière.



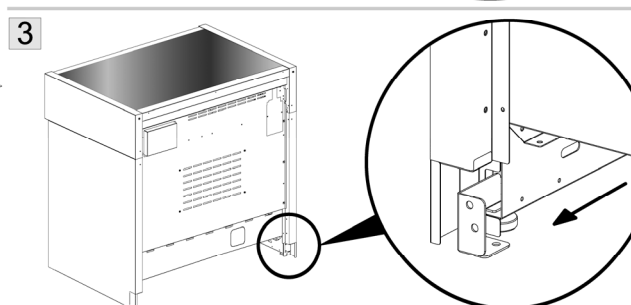
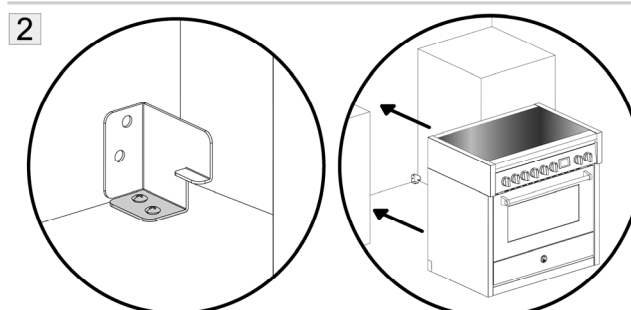
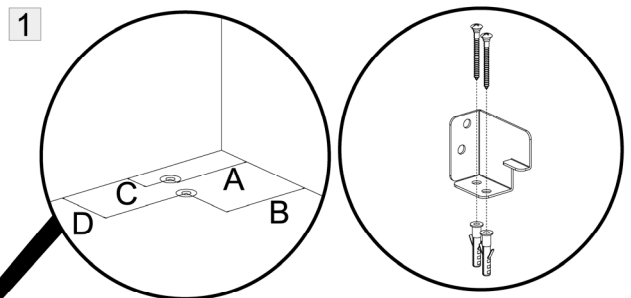
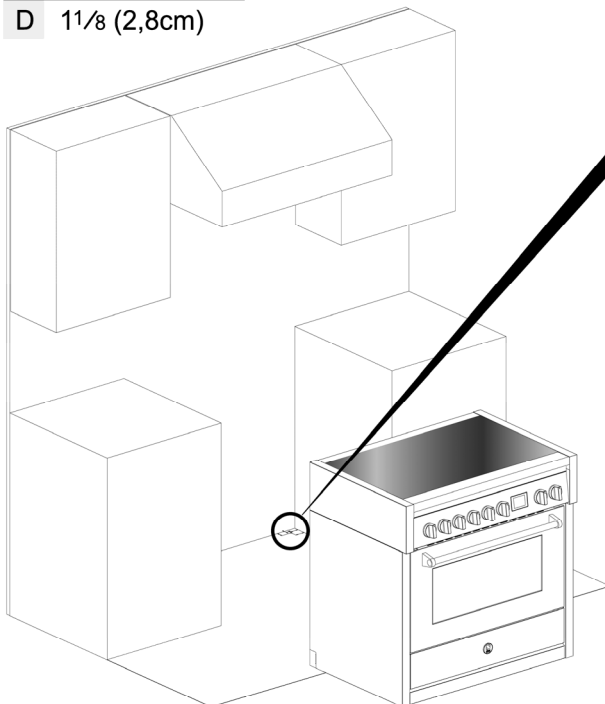
A) Fixation au mur

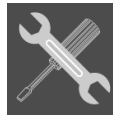
- A 1 1/2 (3,8cm)
- B 1 11/16 (4,3cm)
- C 1 11/16 (4,3cm)
- D 1 (2,5cm)



B) Fixation au sol

- A 1 9/16 (4cm)
- B 1 11/16 (4,3cm)
- C 1/2 (1,3cm)
- D 1 1/8 (2,8cm)





4.6 Montage de la moulure avant

Pour certains modèles de cuisinière est disponible une moulure avant de complément de la ligne esthétique.

! AVIS

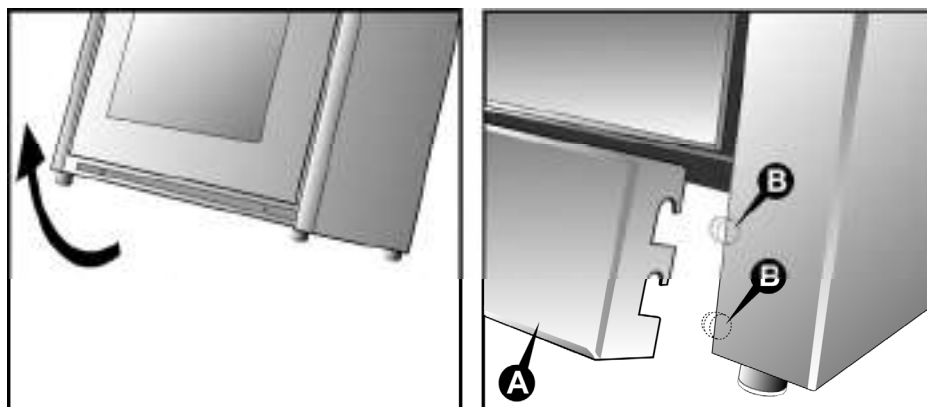
Avant de procéder au retournement de la cuisinière, il est conseillé d'enlever toutes les parties qui ne sont pas fixées de façon stable à la cuisinière. Pour alléger le poids de la cuisinière, il est conseillé d'enlever aussi les accessoires présents à l'intérieur du four, de façon à éviter toute détérioration accidentelle au cours de l'opération de retournement.

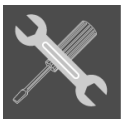
4.6.1 Cuisinière série Genesi

La moulure est fournie avec la série **Genesi**.

Pour le montage, procéder comme suit:

- incliner la cuisinière vers l'arrière;
- approcher la moulure **A** du logement de montage de la façon indiquée dans l'illustration;
- appliquer la moulure jusqu'à obtenir le contact en butée avec le logement de montage;
- tirer vers le bas la moulure de telle sorte qu'elle s'accroche avec les 4 pivots **B** (deux de chaque côté) déjà présents sur la cuisinière.

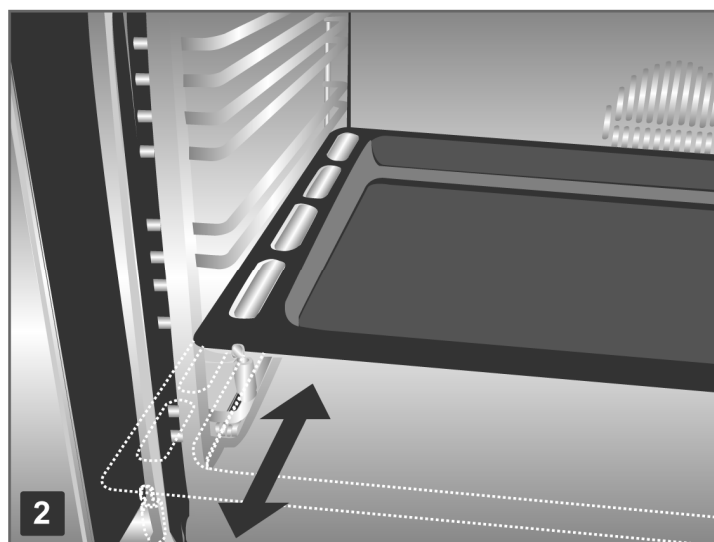
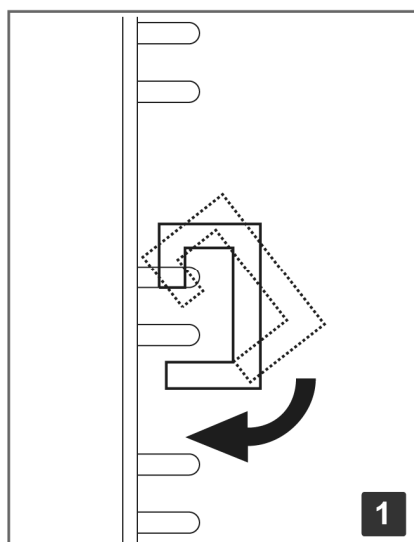
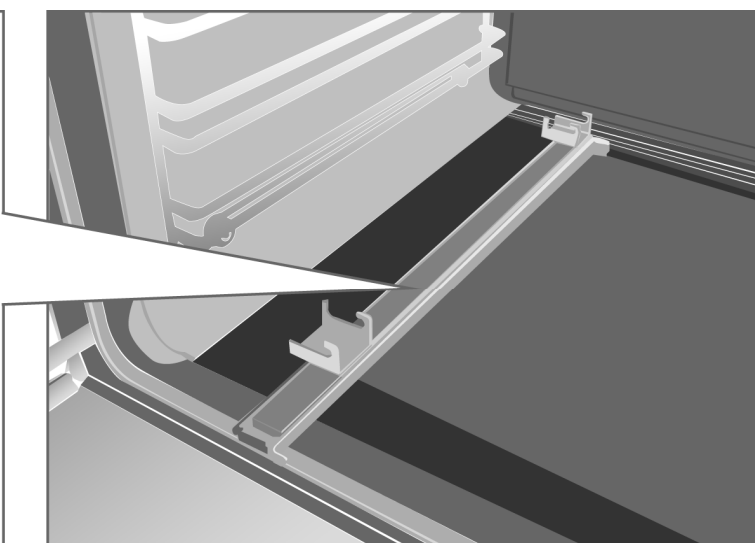
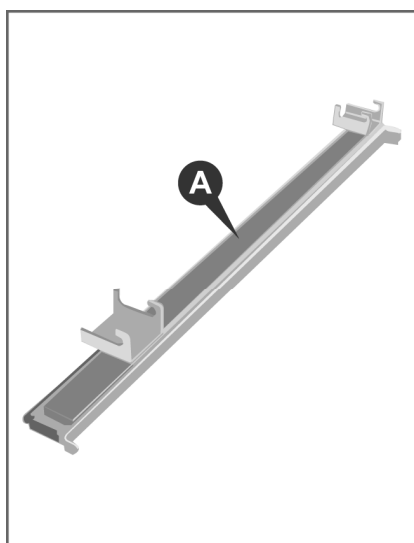




4.7 Montage des guides télescopiques

Pour le montage, procéder comme suit:

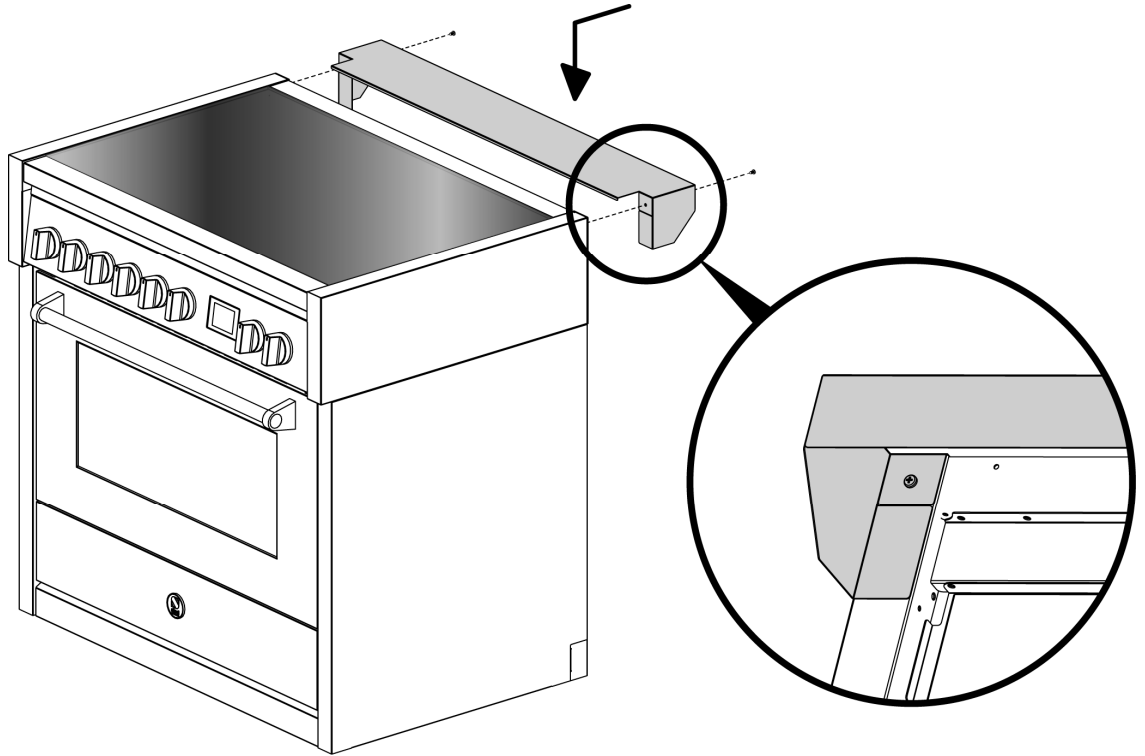
- sortir les guides télescopiques **A** depuis l'intérieur de l'emballage et enlever toutes les pellicules de protection;
- enlever tous les accessoires présents dans le four;
- placer le guide télescopique à la hauteur voulue en accrochant le côté supérieur au châssis (détail **1**) puis le tourner jusqu'à obtenir l'accrochage du côté inférieur, répéter l'opération pour le côté opposé et pour les autres niveaux;
- faire glisser en avant les guides télescopiques et placer l'accessoire choisi de la façon indiquée dans le détail **2**;
- remettre en place dans le four les accessoires précédemment enlevés.

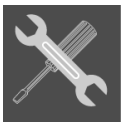




4.8 Montage de la protection arrière

La protection arrière doit être installée **avant toute utilisation de la cuisinière** afin de garantir la ventilation appropriée du compartiment du four. Pour assembler, procéder comme indiqué.





5. Connexion électrique

⚠ AVERTISSEMENT

RISQUE DE CHOC ÉLECTRIQUE

Disjoncter l'alimentation électrique au niveau du disjoncteur ou de la boîte à fusibles avant d'installer l'appareil.

Prévoyez une mise à la terre adéquate pour l'appareil.

Utilisez uniquement des conducteurs en cuivre.

Ne pas respecter ces instructions peut entraîner des blessures graves, voire la mort.

⚠ ATTENTION

Prévoir sur la ligne d'alimentation de l'appareil un dispositif d'interruption omnipolaire avec une distance d'ouverture des contacts égale ou supérieure à **0,1" (3 mm)** placé de manière accessible et proche de l'appareil.

Vérifier que la valve de limitation et l'installation domestique sont en mesure de supporter la charge électrique de l'appareil.

La fiche à l'extrémité du câble d'alimentation ainsi que la prise murale doivent être du même type et conformes aux normes sur les implantations électriques en vigueur. Vérifier que la ligne d'alimentation est pourvue d'une prise de terre. Avant d'effectuer le branchement électrique, vérifier l'efficacité de la prise de terre. Après l'installation de l'appareil la fiche de prise de courant doit être accessible pour l'inspection périodique.

Le câble de terre vert ne doit pas subir d'interruption.

Le câble électrique ne doit pas être en contact avec des parties ayant des températures supérieures à **122°F (50°C)** en plus de la température ambiante.

Eviter l'utilisation de réducteurs, adaptateurs ou dérivateurs.

5.1 Connexion et changement du câble électrique

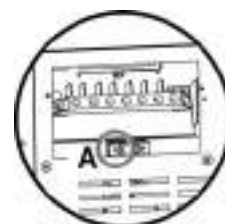
⚠ AVIS

Pour la connexion du câble électrique il est nécessaire d'accéder à la **boîte à bornes**. Elle est située à l'arrière de l'appareil comme indiqué sur le dessin.



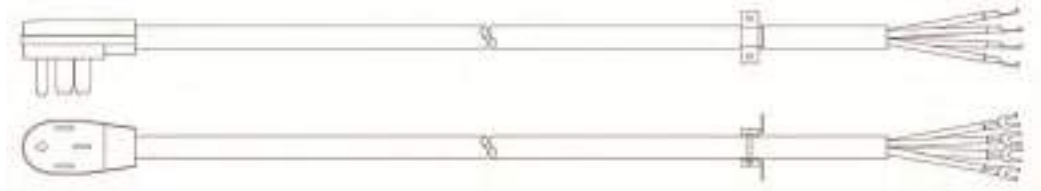
Procéder comme suit:

- ouvrir la boîte à bornes;
- dévisser la vis **A** (qui bloque le câble);
- desserrer les contacts à vis et consulter la section "5.2 Type d'alimentation" pour connecter le câble **fourni** à la boîte à bornes.





Cet appareil **est équipé** en usine d'un cordon d'alimentation électrique de type 4 fils avec cosses à bride de 1/4" (L1, L2, N, Terre) adapté à une utilisation sur la cuisinière, type SRDT 2x6AWG + 2x8AWG homologué UL/CSA pour 125/250 VAC, 50A avec une prise enfichable type NEMA 14-50P; longueur de câble 4'.

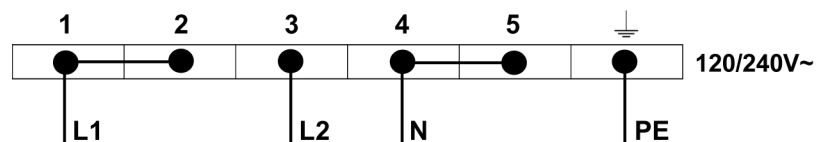


! AVIS

Si le cordon d'alimentation doit être remplacé, il le sera par un **cordons identiques qui aura les mêmes caractéristiques techniques.**

5.2 Type d'alimentation

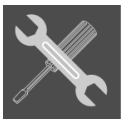
Déplacer les extrémités des câbles non connectés sur la boîte à bornes comme indiqué dans le schéma suivant.



Couleurs des câbles:

- **vert:** PE terre;
- **rouge:** L1 phase 1;
- **noir:** L2 phase 2;
- **blanc:** N neutre.

CUISINIÈRE 1 FOUR	PUISSANCE kW
CUISINIÈRE PLAN À INDUCTION (1 FOUR) (5 ÉLÉMENTS)	14,7



6. Préparation de la ventilation



Avant d'installer la hotte d'extraction, consulter les réglementations locales ou régionales en matière de construction et d'installation pour connaître les critères spécifiques aux espaces de dégagement. Pour plus d'informations, se reporter aux instructions d'installation de la hotte fournies par le fabricant.

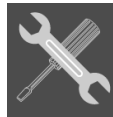
En cas d'installation murale, la hotte doit présenter une largeur au moins égale à celle de la cuisinière. Lorsque l'espace le permet, il peut être souhaitable d'installer une hotte plus large que la cuisinière, pour une meilleure ventilation.

En cas d'installations autonomes, la largeur de la hotte doit dépasser celle de la cuisinière d'au moins 3" (76 mm) de chaque côté.

Pour une meilleure extraction des fumées et des odeurs, le bord inférieur de la hotte doit se trouver entre 25" ½ (65 cm) et 31" ½ (80 cm) au-dessus de la surface de cuisson de la cuisinière.

Si la hotte contient des matériaux combustibles (par ex. parement en bois), elle doit être installée à au moins 36" (914 mm) au-dessus de la surface de cuisson.

En présence d'un volume élevé d'air de ventilation, il est recommandé de disposer d'une source d'air de remplacement extérieur. Cela est particulièrement important pour les habitations fermées hermétiquement et fortement isolées. Consulter une entreprise de chauffage et de ventilation qualifiée.

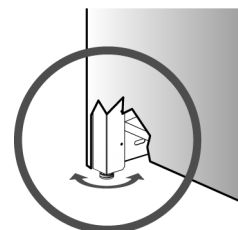


7. Opérations finales

Avant d'utiliser le four pour la préparation de nourriture, nettoyer minutieusement la cavité avec une solution d'eau chaude et de savon afin d'éliminer les résidus de matériaux d'emballage et tout débris ou poussière résultant de l'installation, puis rincer et sécher.

7.1 Mise à niveau de la cuisinière au sol

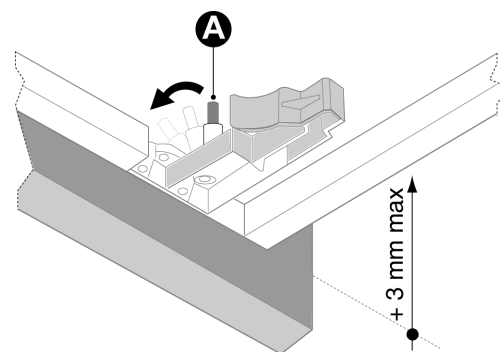
Après avoir effectué les branchements à l'électricité, mettre la cuisinière à niveau au sol au moyen des pieds réglables.



7.2 Réglage en hauteur du tiroir

Sur le côté inférieur du tiroir, aux extrémités droite et gauche, se trouvent les "clips" de réglage de la hauteur.

En tournant le levier **A** l'on obtient le rehaussement du tiroir de 0,1" (3 mm).



7.3 Liste de contrôle d'installation

<input checked="" type="checkbox"/>	La cuisinière est-elle installée sur ses pieds ?
<input checked="" type="checkbox"/>	La protection arrière est-elle connectée de manière fiable ?
<input checked="" type="checkbox"/>	Le dispositif anti-basculement a-t-il été installé correctement ?
<input checked="" type="checkbox"/>	Le dégagement des armoires latérales est-il conforme aux instructions du fabricant ?
<input checked="" type="checkbox"/>	L'électricité est-elle correctement mise à la terre ?
<input checked="" type="checkbox"/>	L'éclairage du four fonctionne-t-il correctement ?

www.steel-cucine.com



STEEL SRL

Via dell'Agricoltura, 21
41012 Carpi (Mo) - Italy
T. +39 059 645180
steel@steel-cucine.com