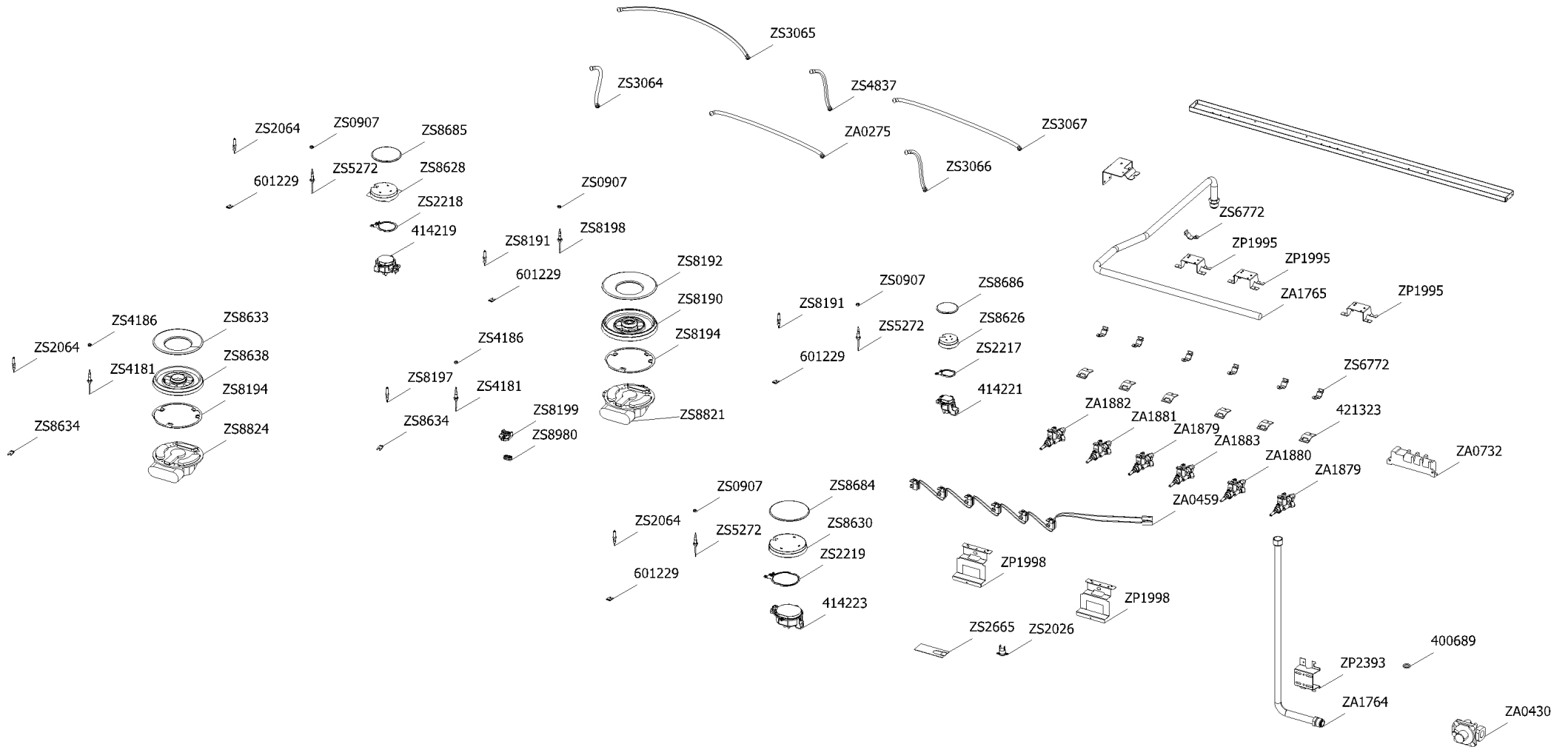


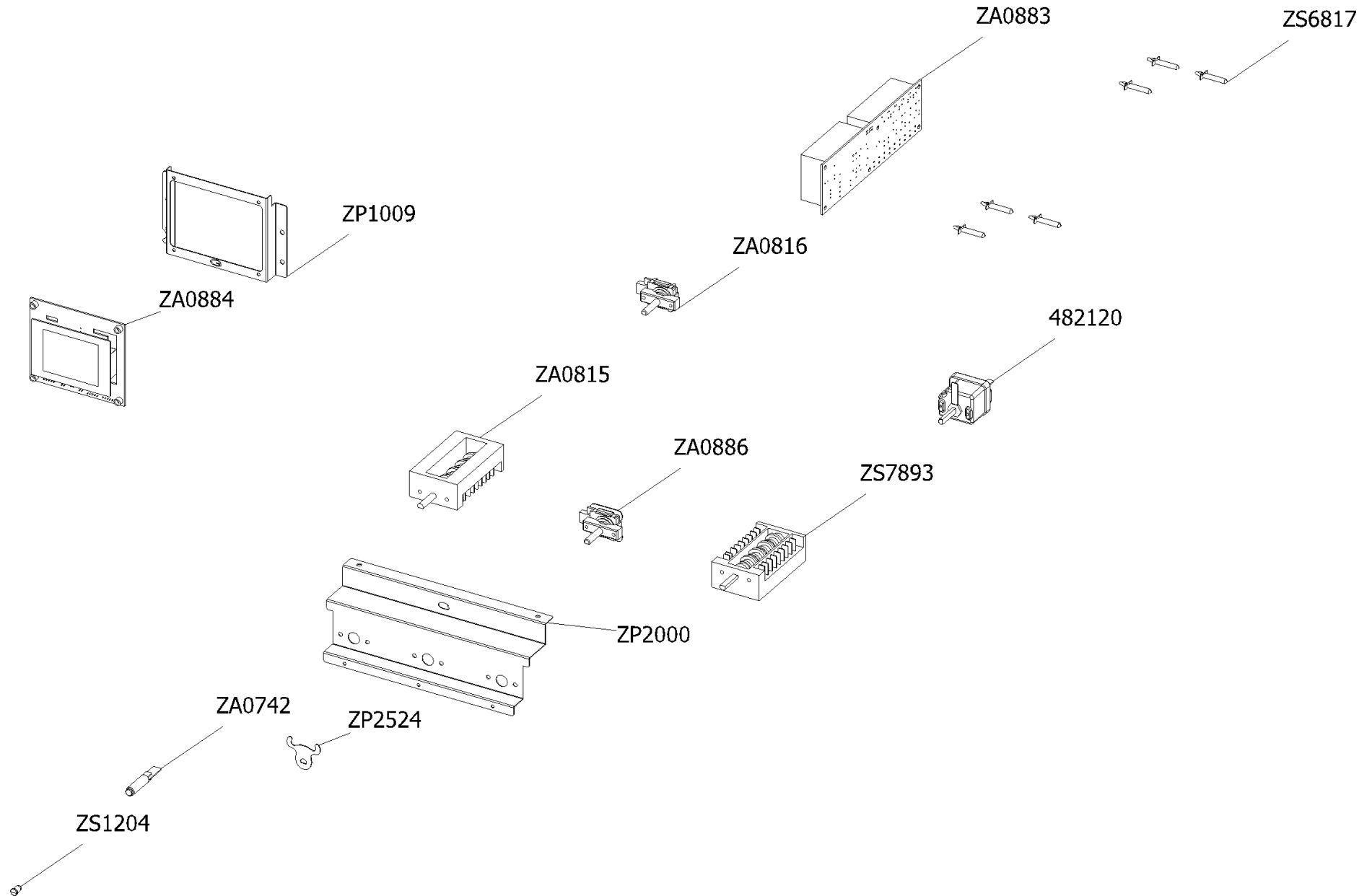
Cucina genesi GQY10SF-4M SS OT Steel G20/12 240/60 USA

CLIENTE

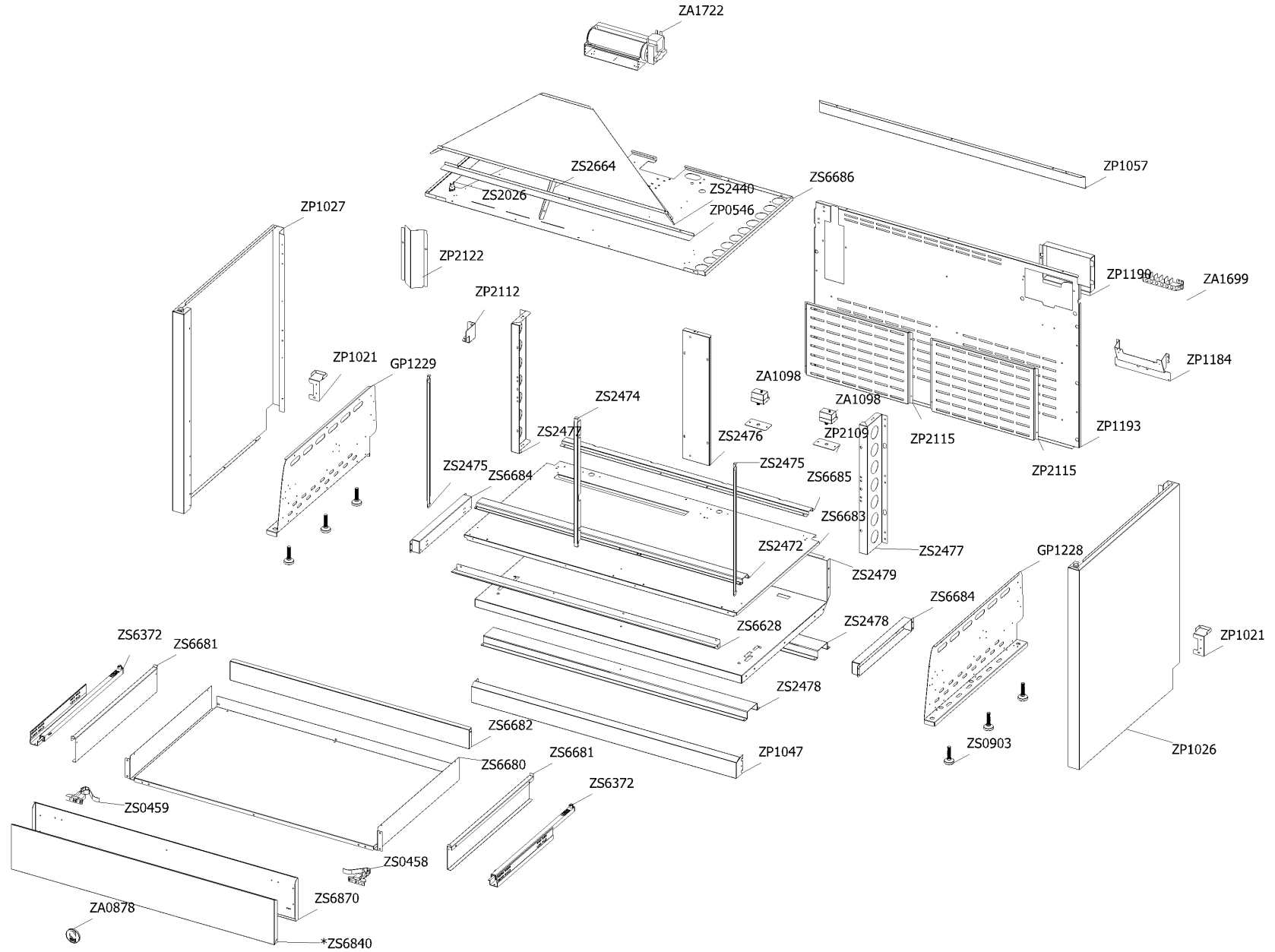
Code	Description	Qty	Code	Description	Qty
ZC1229	Control panel front 5FI induction Ascot 90 SABBIA with serygr.	1			
ZP0404	Upper lateral panel right side	1			
ZP0406	Upper lateral panel left side	1			
ZP1010	Display support	1			
ZP1045	Complete spill tray cooker 100 4 burners, Mega wok	1			
ZP1051	Sintesi upper right side clamp 62.5 extended	1			
ZP1052	Sintesi upper right side clamp 62.5 extended	1			
ZP2165	Spacer for rear side 100 Ascot / GNS	1			
ZS0498	Cast-iron grid for lateral cooktop 100 Sintesi	2			
ZS0565	Cast-iron grid for wok	1			
ZS1864	Support for lateral cast-iron grid cooktop 100	4			
ZS3020	Support for connection top-base	2			
ZS3047	Knob 58 for built-in oven SLT	9			
ZS5722	Cast-iron grid 1 burner Sintesi	1			
ZS9939	Cast-iron grid 2 burners Sintesi	2			



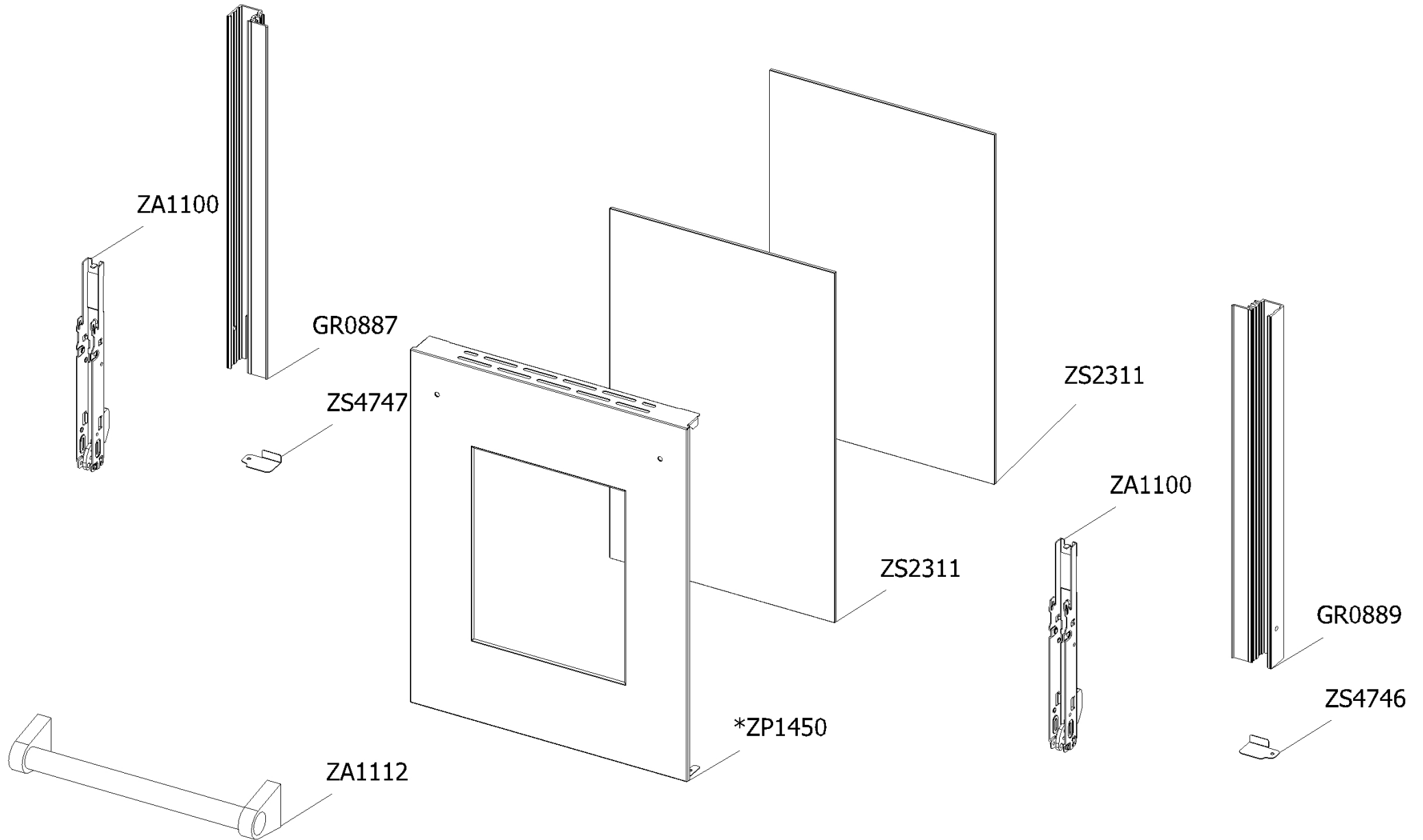
Code	Description	Qty	Code	Description	Qty
400689	Gasket gas inlet	1	ZS5272	Thermocouple Cast L=770	3
414219	Semi rapid burner body G20 1,20	1	ZS6772	Clamp support for main ramp	7
414221	Auxiliary burner body 0,90	1	ZS8190	Mega Wok burner flame spreader BRASS	1
414223	Rapid burner body G20/10 1,50	1	ZS8191	Wok burner spark plug sbf DCC M+G INT	2
421323	Gas taps fixing bridle M60	6	ZS8192	Plate Mega Wok burner external	1
601229	Spring fixing spark plug for triple ring P-4	4	ZS8194	Gasket for wok burner	2
ZA0275	Pipe ramp for t.c. 4.5 central burner cooker DCC 90/120	1	ZS8197	Mega Wok burner spark plug sbf DCC G EXT	1
ZA0430	Gas pressure regulator Nat 4 / GPL 11	1	ZS8198	Thermocouple SBF L=750 DCC	1
ZA0459	Ignition switches for six burners' cooker	1	ZS8199	Support for thermocouple DCC	1
ZA0732	Ignition system 6 flames	1	ZS8626	Auxiliary burner flame spreader HE2 BRASS	1
ZA1764	Extension pipe Ascot / GNS	1	ZS8628	Semi-rapid burner flame spreader HE2 BRASS	1
ZA1765	Ramp 6 burners cooker 090/100 GNS	1	ZS8630	Rapid burner flame spreader HE2 BRASS	1
ZA1879	Valved tap for auxiliary burner (bypass 0,35) CSA	2	ZS8633	Plate Wok burner external	1
ZA1880	Valved tap for rapid/fish-kettle burner CSA	1	ZS8634	Spring fixing spark plug for Wok	2
ZA1881	Valved tap for semi-rapid burner CSA	1	ZS8638	Wok burner flame spreader BRASS	1
ZA1882	Valved tap for triple-ring burner CSA	1	ZS8684	Plate rapid burner HE2	1
ZA1883	Valved tap for mega wok-ring burner CSA	1	ZS8685	Plate semi-rapid burner HE2	1
ZP1046	Clamp support for ramp GNS 100	1	ZS8686	Plate auxiliary burner HE2	1
ZP1145	Rear ramp fixing support cooker 90/120	1	ZS8821	Mega Wok burner body G20/10 0,80 1.65	1
ZP1995	Commutator support 2 positions	3	ZS8824	Wok burner body G20/10 1.65	1
ZP1998	Commutator support 2 positions	2	ZS8980	Gasket for Mega wok thermocouple support	1
ZP2393	Commutator support 2 positions	1			
ZS0907	Fixing nut for themocouple	4			
ZS2026	Thermostat TY60 N.O. fixing B	1			
ZS2064	Burner spark plug sbf L=900	3			
ZS2217	Gasket for auxiliary burner	1			
ZS2218	Gasket for semi-rapid burner	1			
ZS2219	Gasket for rapid burner	1			
ZS2665	Support for fan timelag device	1			
ZS3064	Pipe ramp for front left triple ring burner cooker 100 05	1			
ZS3065	Pipe ramp for rear left semi-rapid burner cooker 100 05	1			
ZS3066	Pipe ramp for front right auxiliary burner cooker 100 05	1			
ZS3067	Pipe ramp for rear right rapid burner cooker 100 05	1			
ZS4181	Thermocouple SBF L=750 TC	2			
ZS4186	Fixing nut for thermocouple burner 4.5	2			
ZS4837	Pipe ramp for t.c. 4.5 external burner cooker	1			



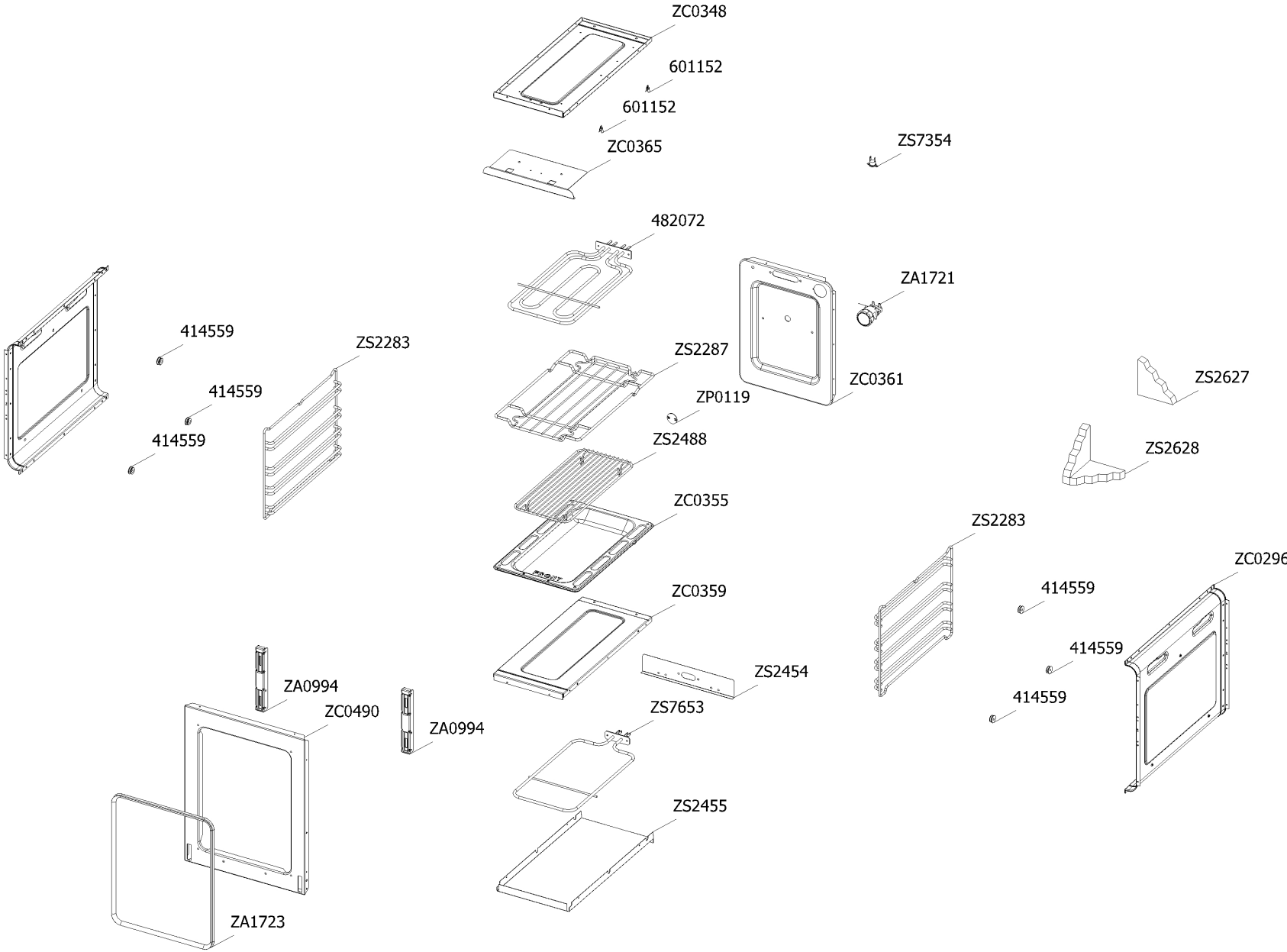
Code	Description	Qty	Code	Description	Qty
482120	Thermostat cooker 192	1			
ZA0742	Fluorescent orange warning light UL	1			
ZA0815	Steam oven functions switch	1			
ZA0816	Energy regulator for oven 230 V	1			
ZA0883	Timer power board	1			
ZA0884	Timer (display)	1			
ZA0886	Encoder push oven	1			
ZP1009	Electrical display support	1			
ZP2000	Commutator support 3 positions	1			
ZP2524	Drip tray top BBQ 70/90	1			
ZS1204	Transparent lens	1			
ZS6817	Feet for electronic components EGO	6			
ZS7893	Commutator oven functions 060 R	1			



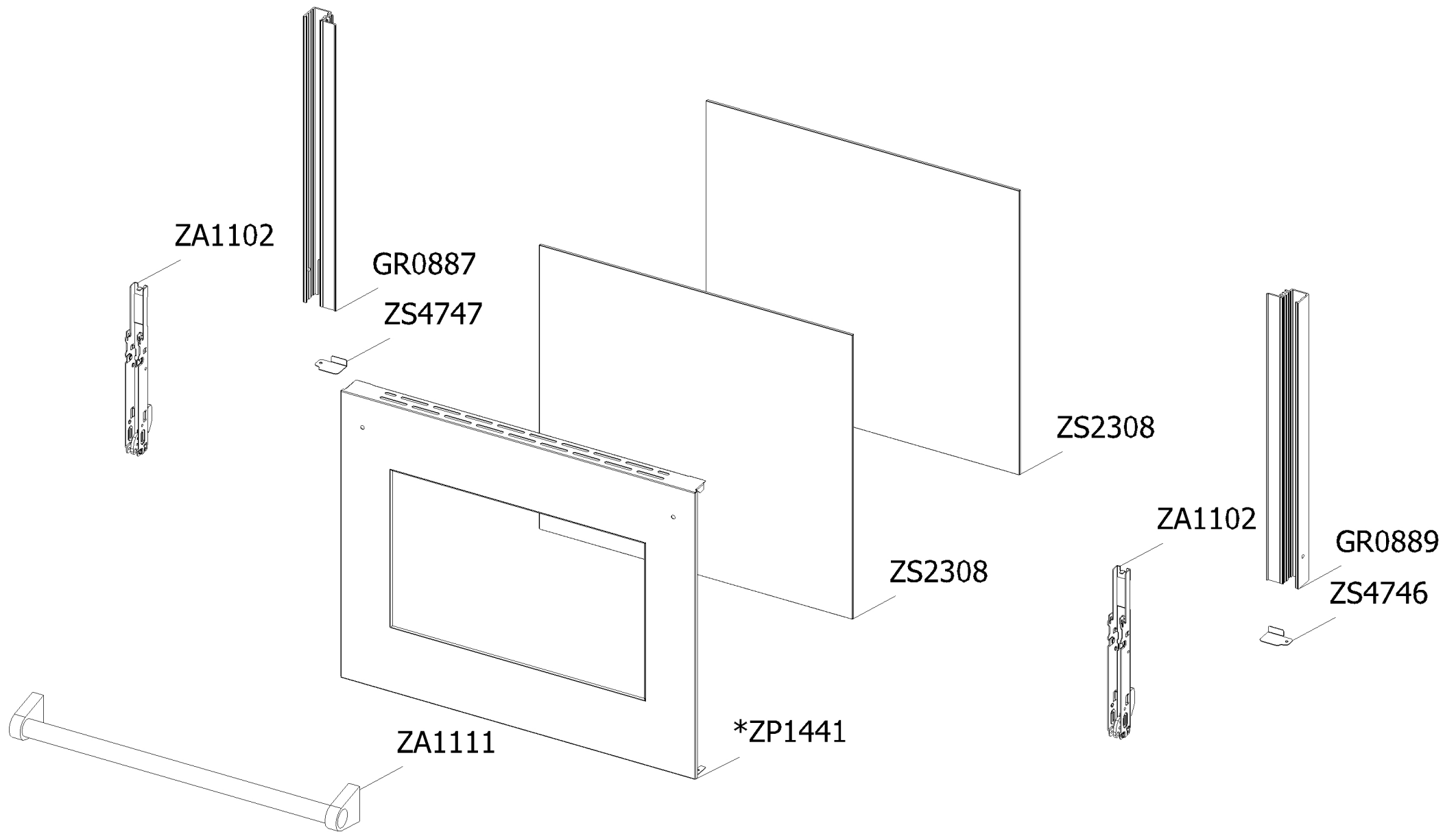
Code	Description	Qty	Code	Description	Qty
GP1228	Assembly complete lower reinforcement right side	1	ZS6681	Drawer lateral side for cooker S.Steel	2
GP1229	Assembly complete lower reinforcement left side	1	ZS6682	Drawer rear side for cooker 100 double oven S.Steel	1
ZA0878	Aluminium adhesive badge "Steel tricolore"	1	ZS6683	Drawer upper guard for cooker 100 double oven Steam	1
ZA1098	Thermostat oven	2	ZS6684	Spacer for drawer guide	2
ZA1699	Terminal block for appliance UL	1	ZS6685	Reinforcement for ceiling drawer cooker 100 SF double oven 04	1
ZA1722	Cooling fan L=180 IMS UL	1	ZS6686	Muffle fan guard cooker 100 double/Triple oven Steam	1
ZP0546	Air conveyor for cooktop 100 DC/TC SF	1	ZS6840	* Drawer door cooker 100 DC SF S.Steel	1
ZP1021	Lateral side closing GNS cooker	2	ZS6870	Counterdoor drawer cooker 100 DC SF	1
ZP1026	Complete lower right side panel	1			
ZP1027	Complete lower left side panel	1			
ZP1047	Plinth for cooker 90	1			
ZP1057	Rear side closing 100 cooker	1			
ZP1184	Rear bracket for 7-pole terminal block	1			
ZP1190	Terminal board cover	1			
ZP1193	Rear guard for cooker 100 double oven Ascot	1			
ZP2109	Display support	2			
ZP2112	Anti-tipping bracket	1			
ZP2115	Rear cover tray	2			
ZP2122	Ramp hole closing plate	1			
ZS0458	Drawer right regulation clip	1			
ZS0459	Drawer left regulation clip	1			
ZS0903	Sintesi black foot H.15	6			
ZS2026	Thermostat TY60 N.O. fixing B	1			
ZS2440	Air conveyor for cooktop 100 DC double oven 04	1			
ZS2472	Reinforcement for ceiling drawer cooker 100 double oven 04	1			
ZS2474	Front central muffle support cooker 100/120 double oven	1			
ZS2475	Front support for muffle left/right side 100/120 double/triple oven cooker	2			
ZS2476	Rear central support for muffle cooker 100 double oven	1			
ZS2477	Rear support for muffle left/right side cooker 100 double/triple oven	2			
ZS2478	Reinforcement for lower guard cooker 100 double oven 04	2			
ZS2479	Lower guard for cooker 100 double oven 04	1			
ZS2664	Air conveyor separator cooker 100 DC/TC	1			
ZS6372	Couple legobox rails partial opening push pull	1			
ZS6628	Bracket condensate collection for 100 DC Steam	1			
ZS6680	Bottom drawer for cooker 100 double oven S.Steel	1			



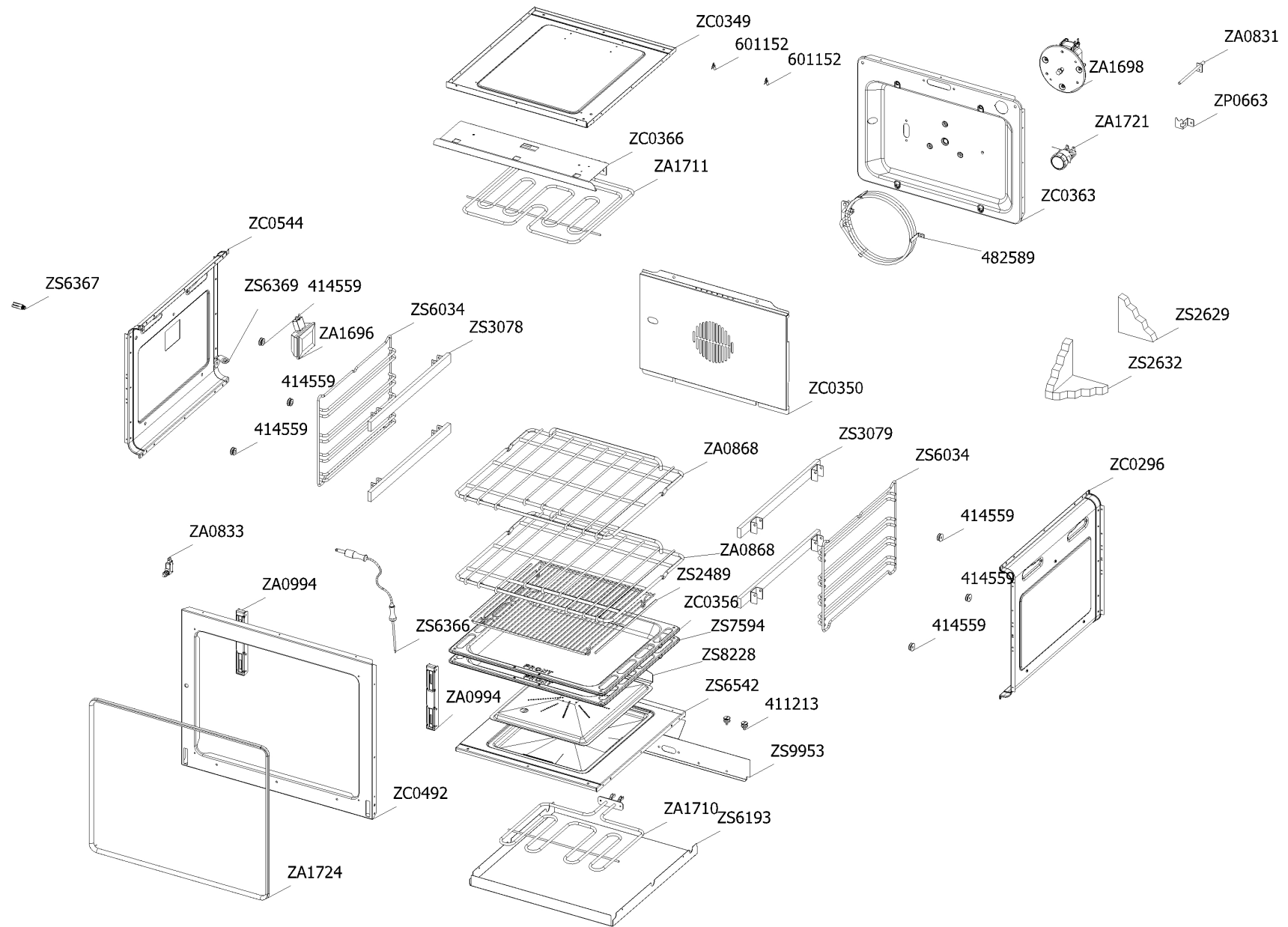
Code	Description	Qty	Code	Description	Qty
GP1042	Assembly glued oven door 30	1			
--> GR0887	Assembly door 30/60/90 left bar profile SFT with gasket	1			
--> GR0889	Assembly door 30/60/90 right bar profile SFT with gasket	1			
--> ZA1100	Door hinge for oven 30 triple glass	2			
--> ZA1112	Door oven handle for oven 30 nickel GNS	1			
--> ZP1450	* Glued external oven door 30 KL	1			
--> ZS2311	Inner glass oven door 30	2			
--> ZS4746	Right support for inner glass	1			
--> ZS4747	Left support for inner glass	1			



Code	Description	Qty	Code	Description	Qty
414559	Lateral frame support for built-in oven	6			
482072	Upper heating element cooker	1			
601152	Spring fixing feeler for built-in oven	2			
ZA0994	Hinge support 06	2			
ZA1721	Complete Lamp-holder for oven (max 25 W) UL	1			
ZA1723	Gasket oven 30 FDA	1			
ZC0296	Side muffle oven 30/60/90 enamelled 04 grey	2			
ZC0348	Enamelled muffle ceiling oven 30 grey	1			
ZC0355	Enamelled drip tray for oven 30 grey	1			
ZC0359	Enamelled muffle bottom for oven 30 grey	1			
ZC0361	Muffle rear side oven 30 enamelled grey	1			
ZC0365	Grill heating element support for muffle oven 30 enamelled grey	1			
ZC0490	Enamelled muffle front side oven 30 grey	1			
ZP0119	Turnspit hole cap	1			
ZS2283	Oven lateral frame 30/60/90	2			
ZS2287	Chromed wire grid for oven 30	1			
ZS2454	Lower heating elem.support oven 30 04	1			
ZS2455	Lower heating element tray oven 30 04	1			
ZS2488	Trivet for oven 30 04	1			
ZS2627	White glass wool for rear side 30 oven 04	1			
ZS2628	White glass wool for 30 oven 04	1			
ZS7354	Thermoswitch 16 Ampere	1			
ZS7653	Lower heating element for oven 30	1			



Code	Description	Qty	Code	Description	Qty
GP1099	Assembly glued oven door 60/100 double oven	1			
--> GR0887	Assembly door 30/60/90 left bar profile SFT with gasket	1			
--> GR0889	Assembly door 30/60/90 right bar profile SFT with gasket	1			
--> ZA1102	Door hinge for oven 60 triple glass	2			
--> ZA1111	Door oven handle for oven 60 nickel GNS	1			
--> ZP1441	* Glued external oven door 60/100 double oven	1			
--> ZS2308	Inner glass oven door 60	2			
--> ZS4746	Right support for inner glass	1			
--> ZS4747	Left support for inner glass	1			



Code	Description	Qty	Code	Description	Qty
411213	Lateral frame support for built-in oven	2	ZS8228	Steam generator cover 60	1
414559	Lateral frame support for built-in oven	6	ZS9953	Lower heating elem.support oven 60	1
482589	Circular heating element 230V-2100W	1			
601152	Spring fixing feeler for built-in oven	2			
GP0194	Assembly rear muffle oven 60 enamelled grey	1			
--> ZC0363	Muffle rear side oven 60 enamelled grey	1			
ZA0831	Oven thermocouple PT1000	1			
ZA0833	Switch for oven door	1			
ZA0868	S.steel wire grid for oven 30P	2			
ZA0994	Hinge support 06	2			
ZA1696	Complete Lamp-holder for oven (max 25 W) UL	1			
ZA1698	Circular tangential oven 90 fan without fan and nut RA UL	1			
ZA1710	Lower heating element for oven 60 (1200W/230V)	1			
ZA1711	Grill heating element for oven 60 (1900+850W)	1			
ZA1721	Complete Lamp-holder for oven (max 25 W) UL	1			
ZA1724	Gasket oven 60 H=8.9 mat HT FDA	1			
ZC0296	Side muffle oven 30/60/90 enamelled 04 grey	1			
ZC0349	Enamelled muffle ceiling oven 60 grey	1			
ZC0350	Fan cover for oven 60 with turnspit hole grey	1			
ZC0356	Enamelled drip tray for oven 60 grey	1			
ZC0366	Grill heating element support for muffle oven 60 enamelled grey	1			
ZC0492	Enamelled muffle front side oven 60 grey	1			
ZC0544	Side muffle oven 30/60/90 enamelled 04 grey with lamp hole	1			
ZP0663	Probe plate	1			
ZS2489	Trivet for oven 60 04	1			
ZS2629	White glass wool for rear side 60 oven 04	1			
ZS2632	White glass wool for 60 oven 04	1			
ZS3078	Telescopic liner right	2			
ZS3079	Telescopic liner left	2			
ZS6034	Oven lateral frame 30/60/90 S.Steel	2			
ZS6193	Lower heating element tray oven 60 04	1			
ZS6366	Core probe programmer	1			
ZS6367	Meat probe's socket	1			
ZS6369	Cover for Meat probe's socket	1			
ZS6542	Complete muffle bottom for oven 60 S.Steel Steam	1			
ZS7594	Drip tray for oven 60 S.Steel TDL	1			

Code	Description	Qty	Code	Description	Qty
401520	Black cap for glass front panel	1			
500906	Chromed black washer	8			
505241	Screw for tap M4x9	6			
541011	Spacer washer for built-in oven	13			
601152	Spring fixing feeler for built-in oven	2			
ZA1616	Instruction booklet Timer - complete	1			
ZA1727	Instruction booklet user Top/Cooker USA	1			
ZA1728	Instruction booklet installer Top/Cooker USA	1			
ZA1940	Nut EGO	2			
ZA1947	Instruction booklet timer fast - USA	1			
ZP2108	Clamp support for commutator cooker Party	1			
ZS2419	Spring for door glass assembling 04	8			
ZS6653	Carafe graduate 0.5	1			
ZS6679	O-ring 3021 viton	1			
ZS6772	Clamp support for main ramp	2			
ZS7088	Turnspit hole cap	1			
ZS8200	Screw M3.5x6	1			
ZS8635	Screw M4 x 8 wok burner	8			
ZS8645	Pins for Wok	1			

Code	Description	Qty	Code	Description	Qty
411213	Lateral frame support for built-in oven	2	ZS2217	Gasket for auxiliary burner	1
414219	Semi rapid burner body G20 1,20	1	ZS2218	Gasket for semi-rapid burner	1
414221	Auxiliary burner body 0,90	1	ZS2219	Gasket for rapid burner	1
414223	Rapid burner body G20/10 1,50	1	ZS4181	Thermocouple SBF L=750 TC	2
482072	Upper heating element cooker	1	ZS4186	Fixing nut for thermocouple burner 4.5	2
482120	Thermostat cooker 192	1	ZS5272	Thermocouple Cast L=770	3
482589	Circular heating element 230V-2100W	1	ZS6372	Couple legobox rails partial opening push pull	1
ZA0459	Ignition switches for six burners' cooker	1	ZS7354	Thermoswitch 16 Ampere	1
ZA0732	Ignition system 6 flames	1	ZS7653	Lower heating element for oven 30	1
ZA0742	Fluorescent orange warning light UL	1	ZS7893	Commutator oven functions 060 R	1
ZA0815	Steam oven functions switch	1	ZS8190	Mega Wok burner flame spreader BRASS	1
ZA0816	Energy regulator for oven 230 V	1	ZS8191	Wok burner spark plug sbf DCC M+G INT	2
ZA0831	Oven thermocouple PT1000	1	ZS8192	Plate Mega Wok burner external	1
ZA0883	Timer power board	1	ZS8194	Gasket for wok burner	2
ZA0884	Timer (display)	1	ZS8197	Mega Wok burner spark plug sbf DCC G EXT	1
ZA0886	Encoder push oven	1	ZS8198	Thermocouple SBF L=750 DCC	1
ZA1098	Thermostat oven	2	ZS8199	Support for thermocouple DCC	1
ZA1100	Door hinge for oven 30 triple glass	2	ZS8200	Screw M3.5x6	1
ZA1102	Door hinge for oven 60 triple glass	2	ZS8626	Auxiliary burner flame spreader HE2 BRASS	1
ZA1696	Complete Lamp-holder for oven (max 25 W) UL	1	ZS8628	Semi-rapid burner flame spreader HE2 BRASS	1
ZA1698	Circular tangential oven 90 fan without fan and nut RA UL	1	ZS8630	Rapid burner flame spreader HE2 BRASS	1
ZA1710	Lower heating element for oven 60 (1200W/230V)	1	ZS8633	Plate Wok burner external	1
ZA1711	Grill heating element for oven 60 (1900+850W)	1	ZS8635	Screw M4 x 8 wok burner	8
ZA1721	Complete Lamp-holder for oven (max 25 W) UL	2	ZS8638	Wok burner flame spreader BRASS	1
ZA1722	Cooling fan L=180 IMS UL	1	ZS8645	Pins for Wok	1
ZA1723	Gasket oven 30 FDA	1	ZS8684	Plate rapid burner HE2	1
ZA1724	Gasket oven 60 H=8.9 mat HT FDA	1	ZS8685	Plate semi-rapid burner HE2	1
ZA1879	Valved tap for auxiliary burner (bypass 0,35) CSA	2	ZS8686	Plate auxiliary burner HE2	1
ZA1880	Valved tap for rapid/fish-kettle burner CSA	1	ZS8821	Mega Wok burner body G20/10 0,80 1.65	1
ZA1881	Valved tap for semi-rapid burner CSA	1	ZS8824	Wok burner body G20/10 1.65	1
ZA1882	Valved tap for triple-ring burner CSA	1	ZS8980	Gasket for Mega wok thermocouple support	1
ZA1883	Valved tap for mega wok-ring burner CSA	1			
ZA1940	Nut EGO	2			
ZS1204	Transparent lens	1			
ZS2026	Thermostat TY60 N.O. fixing B	2			
ZS2064	Burner spark plug sbf L=900	3			