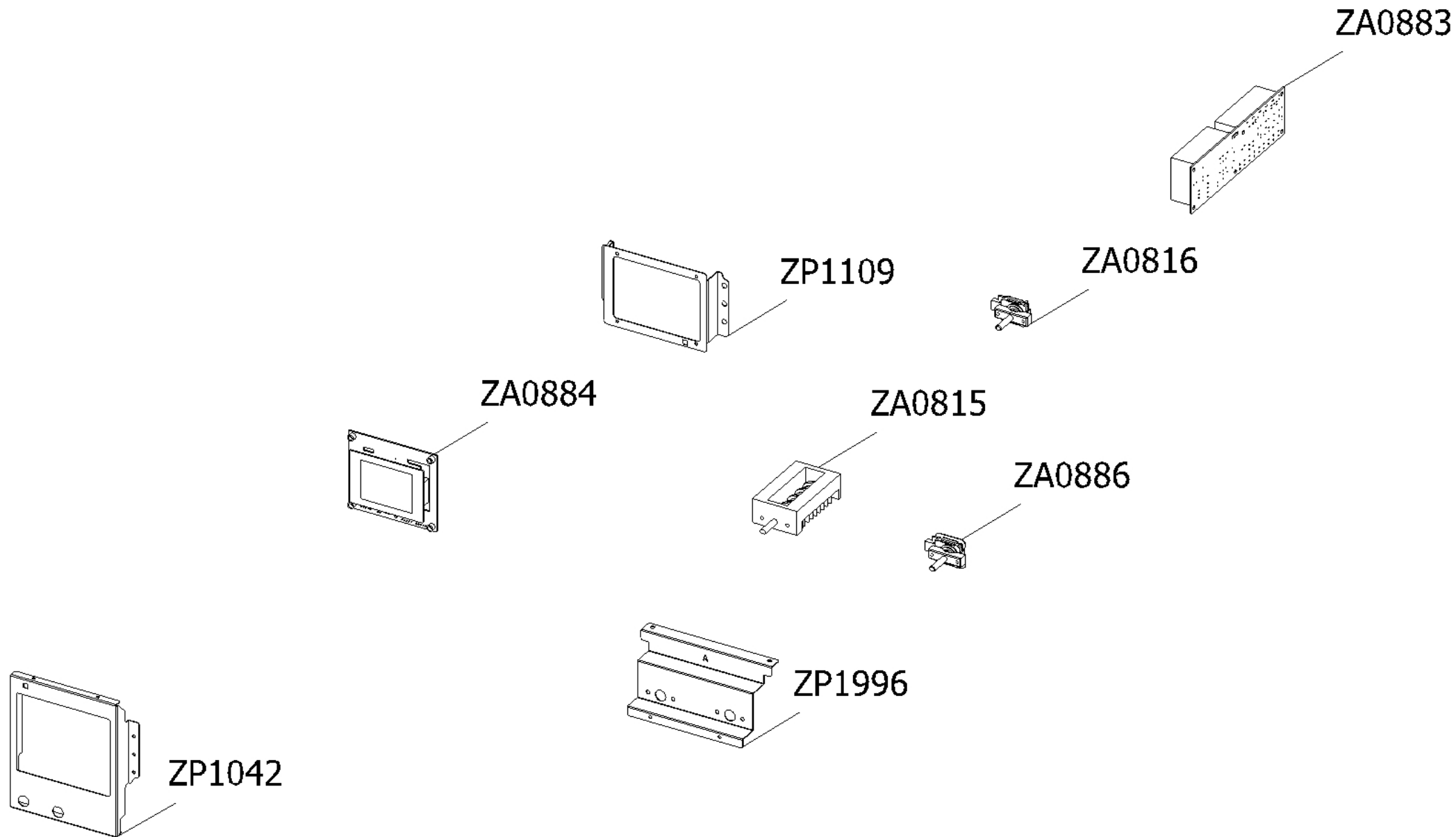


Cucina ascot AQY9S-5FI SS-C Steel 240/60 USA

CLIENTE

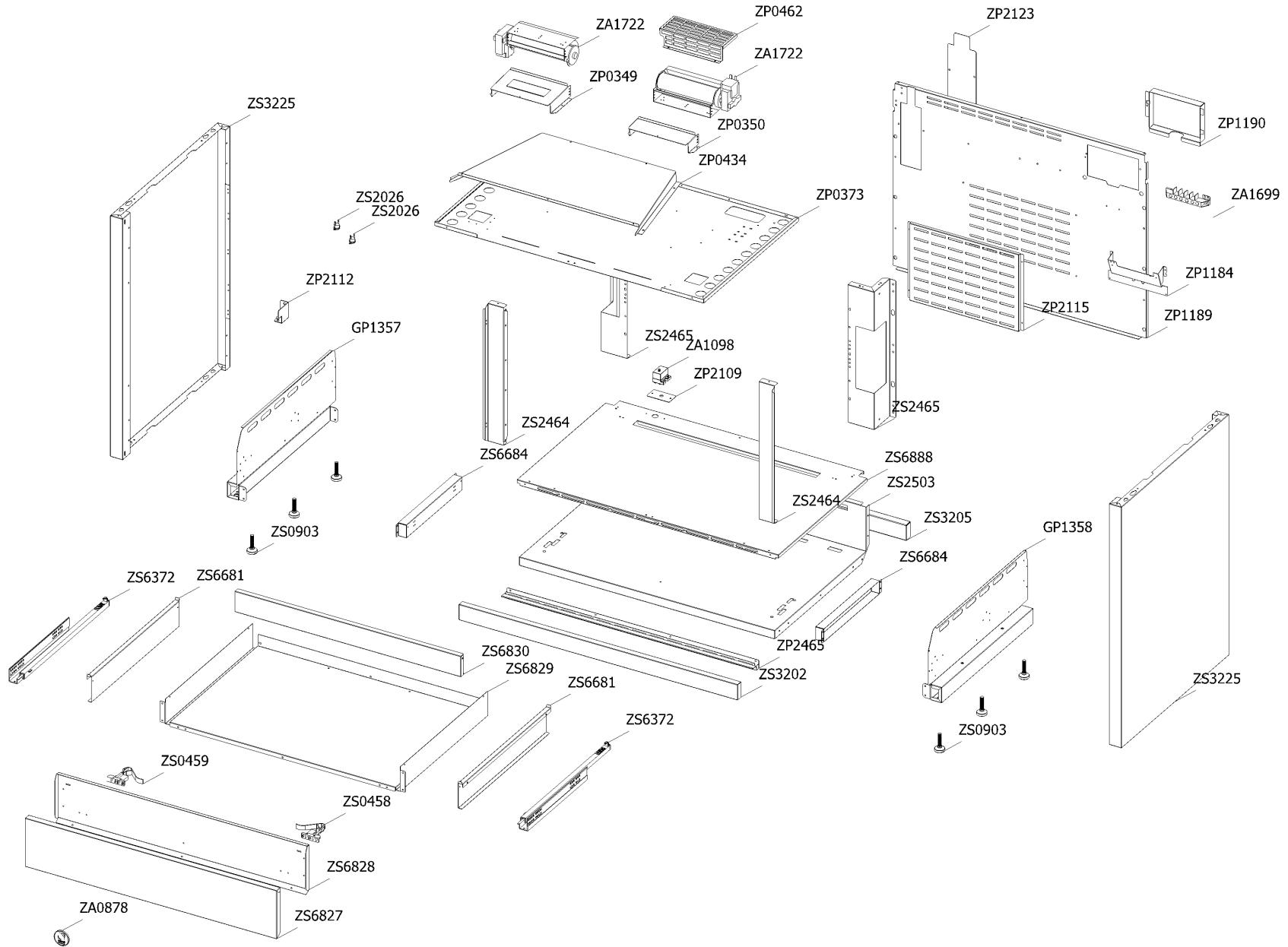
Code	Description	Qty	Code	Description	Qty
ZA0841	Timer	1			
ZA1703	Induction 5 element OCTA EGO UL	1			
ZA1898	Energy regulator for induction 230 V EGO UL	5			
ZC0333	Profile control panel drawer 90 Ascot internal black	1			
ZC0610	Control panel front 5FI induction Ascot 90 SABBIA with serygr.	1			
ZP0394	Profile control panel drawer 90 Ascot external inox	1			
ZP0500	Support for electronic control induction element	1			
ZP1037	Clamp support for ramp Ascot 090	1			
ZP1997	Commutator support 3 positions	2			
ZP2133	Assembly cooktop cooker 90 induction Ascot OCTA	1			
ZS3184	Back splash for cooker 90 Ascot	1			
ZS3305	Fixing plate for top Ascot	2			
ZS3327	Support for internal support control panel 90 Ascot	1			
ZS5412	* Ascot chromed knob	8			
ZS6787	Encoders control board	1			
ZS6904	Cover for induction terminal board	1			
ZS8173	* Handle for hob cooker Ascot 90 chromed terminal nickel	1			
ZS8446	Clamp support for induction 90/100 Sintesi front / rear	2			



Cucina ascot AQY9S-5FI SS-C Steel 240/60 USA

CLIENTE

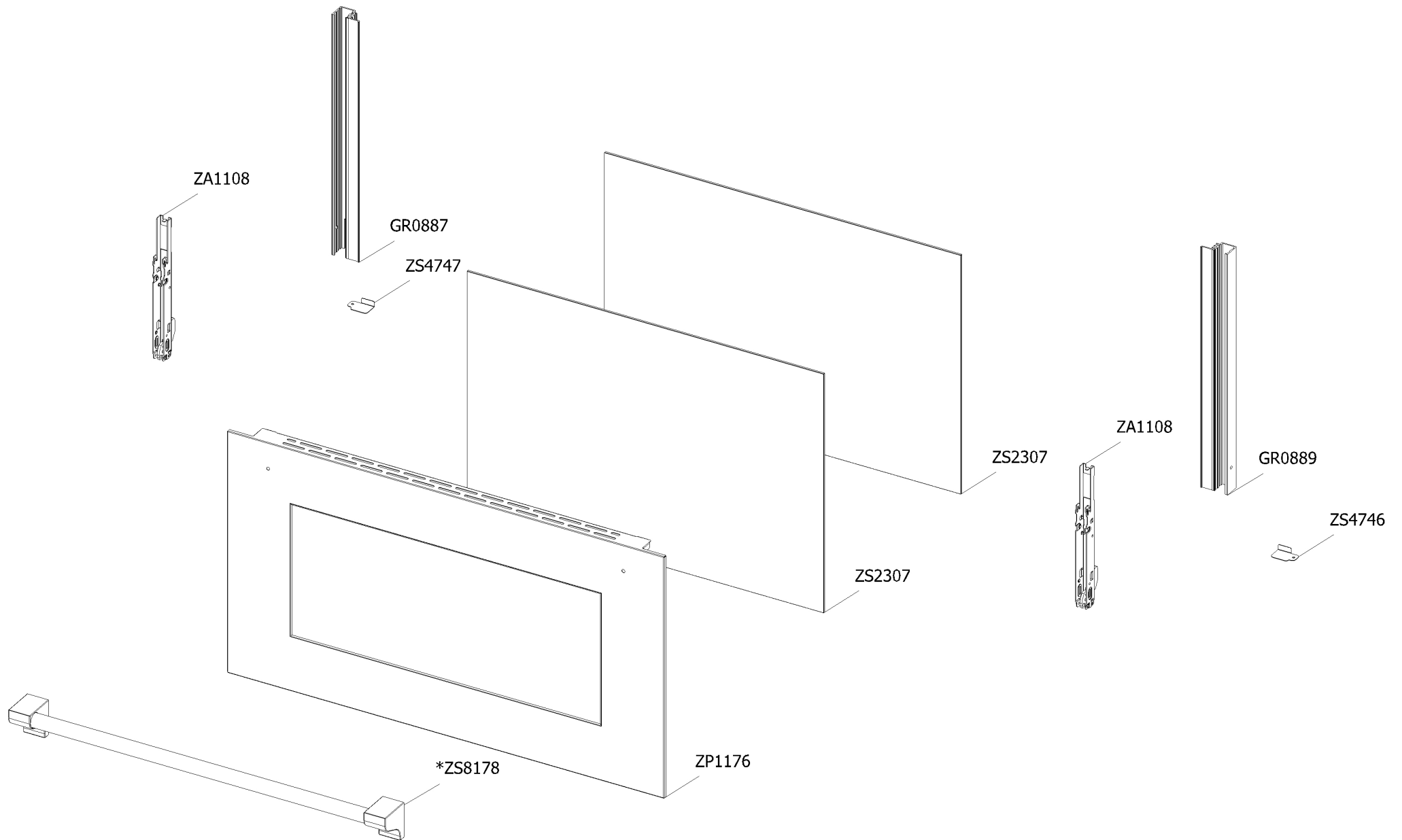
Code	Description	Qty	Code	Description	Qty
ZA0815	Steam oven functions switch	1			
ZA0816	Energy regulator for oven 230 V	1			
ZA0883	Power board	1			
ZA0884	Timer (display)	1			
ZA0886	Encoder push oven	1			
ZP1042	Display support Ascot	1			
ZP1109	Electrical display support	1			
ZP1996	Commutator support 2 positions	1			



Cucina ascot AQY9S-5FI SS-C Steel 240/60 USA

CLIENTE

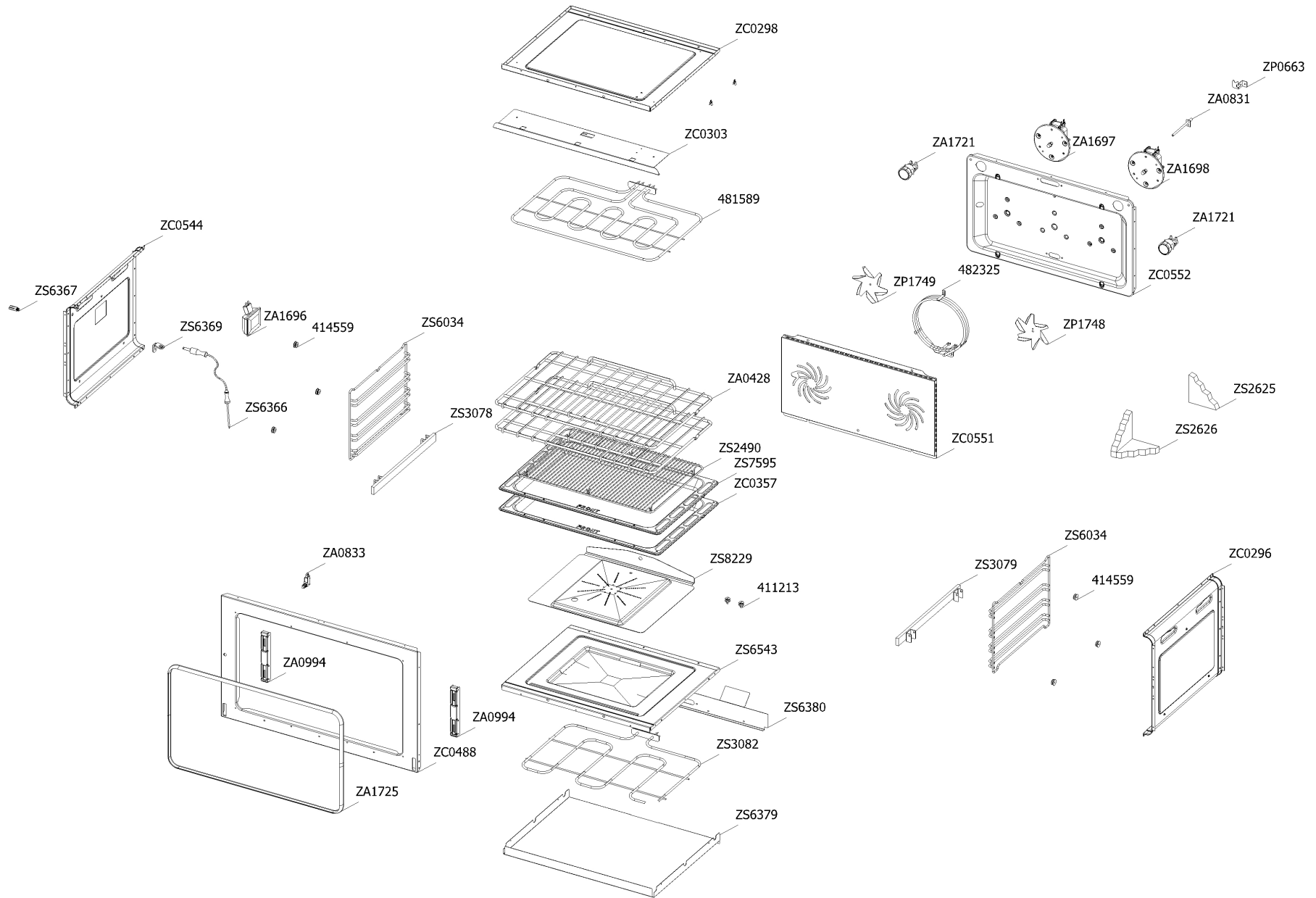
Code	Description	Qty	Code	Description	Qty
GP1357	Assembly support lower left side Ascot	1	ZS6888	Upper guard for drawer 90	1
GP1358	Assembly support lower right side Ascot	1			
ZA0878	"Lancellotti" plate	1			
ZA1098	thermostat oven	1			
ZA1699	Terminal block for appliance UL	1			
ZA1722	Cooling fan L=180 IMS UL	2			
ZP0349	Air conveyor for cooktop SX	1			
ZP0350	Air conveyor for cooktop DX	1			
ZP0373	Muffle fan guard cooker 90 cm	1			
ZP0434	Air conveyor for cooktop 90	1			
ZP0462	Tangential cover for induction cooker	1			
ZP1184	Rear bracket for 7-pole terminal block	1			
ZP1189	Rear guard for cooker 90 Ascot	1			
ZP1190	Terminal board cover	1			
ZP2109	Display support	1			
ZP2112	Display support	1			
ZP2115	Display support	1			
ZP2123	Ramp hole closing plate	1			
ZP2465	Upper lateral panel left side	1			
ZS0458	Drawer right regulation clip	1			
ZS0459	Drawer left regulation clip	1			
ZS0903	Sintesi black foot H.15	6			
ZS2026	Thermostat TY60 N.O. fixing B	2			
ZS2464	Front support for muffle left/right side 90 04	2			
ZS2465	Rear support for muffle left/right side 90 04	2			
ZS2503	Lower guard for cooker 090 04	1			
ZS3202	Plinth for cooker 90 Ascot	1			
ZS3205	Plinth rear for cooker 90 Ascot	1			
ZS3225	Complete lower right/left side Ascot S.STEEL	2			
ZS6372	Couple legobox rails partial opening push pull	1			
ZS6681	Drawer lateral side for cooker S.Steel	2			
ZS6684	Spacer for drawer guide	2			
ZS6827	Drawer door cooker 090 SF s.steel	1			
ZS6828	Counterdoor drawer cooker 90 SF	1			
ZS6829	Bottom drawer for cooker 090 S.Steel	1			
ZS6830	Drawer rear side for cooker 090 S.Steel	1			



Cucina ascot AQY9S-5FI SS-C Steel 240/60 USA

CLIENTE

Code	Description	Qty	Code	Description	Qty
GP0639	Assembly glued oven door 90 Ascot	1			
--> GR0887	Assembly door 30/60/90 left bar profile SFT with gasket	1			
--> GR0889	Assembly door 30/60/90 right bar profile SFT with gasket	1			
--> ZA1108	Door hinge for oven 90 triple glass	2			
--> ZP1176	Glued external oven door 90	1			
--> ZS2307	Inner glass oven door 90	2			
--> ZS4746	Right support for inner glass	1			
--> ZS4747	Left support for inner glass	1			
--> ZS8178	* Handle for oven door 90 Ascot 90/120 chromed terminal nickel	1			



Cucina ascot AQY9S-5FI SS-C Steel 240/60 USA

CLIENTE

Code	Description	Qty	Code	Description	Qty
411213	Lateral frame support for built-in oven	2	ZS6379	Lower heating element tray oven 90	1
414559	Lateral frame support for built-in oven	6	ZS6380	Lower heating elem.support oven 90	1
481589	Grill heating element for oven 90	1	ZS6543	Complete muffle bottom for oven 90 S.Steel Steam	1
482325	Circular heating element 230V-2500W	1	ZS7595	Drip tray for oven 90 S.Steel TDL	1
601152	Spring fixing feeler for built-in oven	2	ZS8229	Steam generator cover 90	1
GP1012	Assembly rear muffle oven 90 enamelled grey	1			
--> ZC0552	Fan cover for oven 90 with turnspit hole 04 black	1			
ZA0428	S.steel wire grid for oven 30P	2			
ZA0831	Oven thermocouple PT1000	1			
ZA0833	Switch for oven door	1			
ZA0994	Hinge support 06	2			
ZA1696	Complete Lamp-holder for oven (max 25 W) UL	1			
ZA1697	Circular tangential oven 90 fan without fan and nut RO UL	1			
ZA1698	Circular tangential oven 90 fan without fan and nut RA UL	1			
ZA1721	Complete Lamp-holder for oven (max 25 W) UL	2			
ZA1725	Gasket oven 90 H=8.9 mat HT FDA	1			
ZC0296	Side muffle oven 30/60/90 enamelled 04 grey	1			
ZC0298	Enamelled muffle ceiling oven 90 grey	1			
ZC0303	Grill heating element support for muffle oven 90 enamelled grey	1			
ZC0357	Enamelled drip tray for oven 90 grey	1			
ZC0488	Enamelled muffle front side oven 90 grey	1			
ZC0544	Side muffle oven 30/60/90 enamelled 04 grey with lamp hole	1			
ZC0551	Fan cover for oven 90 with turnspit hole 04 black	1			
ZP0663	Probe plate	1			
ZP1748	fan clockwise rotation	1			
ZP1749	fan counterclockwise rotation	1			
ZS2490	Trivet for oven 90 04	1			
ZS2625	White glass wool for rear side 90 oven	1			
ZS2626	White glass wool for 90 oven 04	1			
ZS3078	Telescopic liner left	1			
ZS3079	Telescopic liner right	1			
ZS3082	Lower heating element for oven 90 (1400 W)	1			
ZS6034	Oven lateral frame 30/60/90 S.Steel	2			
ZS6366	Core probe programmer	1			
ZS6367	Meat probe's socket	1			
ZS6369	Cover for Meat probe's socket	1			

Cucina ascot AQY9S-5FI SS-C Steel 240/60 USA (not shown)

CLIENTE

Code	Description	Qty	Code	Description	Qty
500906	Chromed black washer	4			
ZA1616	Instruction booklet Timer - complete	1			
ZA1712	Wiring diagram for cooker TCK CPU 090 2V induction UL	1			
ZA1940	Nut EGO	1			
ZA1947	Instruction booklet timer fast - USA	1			
ZA1982	Instruction booklet user cooker induction USA	1			
ZA1983	Instruction booklet installer cooker induction USA	1			
ZP0425	Support for fan timelag device	2			
ZP2137	Clamp support for commutator cooker Party	1			
ZS2419	Spring for door glass assembling 04	4			
ZS2931	Spacer between glasses	4			
ZS2995	Fixing spring for front profile	16			
ZS3078	Telescopic liner left	1			
ZS3079	Telescopic liner right	1			
ZS6653	Carafe graduate 0.5	1			
ZS6679	O-ring 3021 viton	2			
ZS7088	Turnspit hole cap	1			

Code	Description	Qty	Code	Description	Qty
411213	Lateral frame support for built-in oven	2			
481589	Grill heating element for oven 90	1			
482325	Circular heating element 230V-2500W	1			
ZA0815	Steam oven functions switch	1			
ZA0816	Energy regulator for oven 230 V	1			
ZA0831	Oven thermocouple PT1000	1			
ZA0841	Timer	1			
ZA0883	Power board	1			
ZA0884	Timer (display)	1			
ZA0886	Encoder push oven	1			
ZA1098	thermostat oven	1			
ZA1108	Door hinge for oven 90 triple glass	2			
ZA1696	Complete Lamp-holder for oven (max 25 W) UL	1			
ZA1697	Circular tangential oven 90 fan without fan and nut RO UL	1			
ZA1698	Circular tangential oven 90 fan without fan and nut RA UL	1			
ZA1703	Induction 5 element OCTA EGO UL	1			
ZA1721	Complete Lamp-holder for oven (max 25 W) UL	2			
ZA1722	Cooling fan L=180 IMS UL	2			
ZA1725	Gasket oven 90 H=8.9 mat HT FDA	1			
ZA1898	Energy regulator for induction 230 V EGO UL	5			
ZA1940	Nut EGO	1			
ZS2026	Thermostat TY60 N.O. fixing B	2			
ZS3082	Lower heating element for oven 90 (1400 W)	1			
ZS6372	Couple legobox rails partial opening push pull	1			
ZS6787	Encoders control board	1			