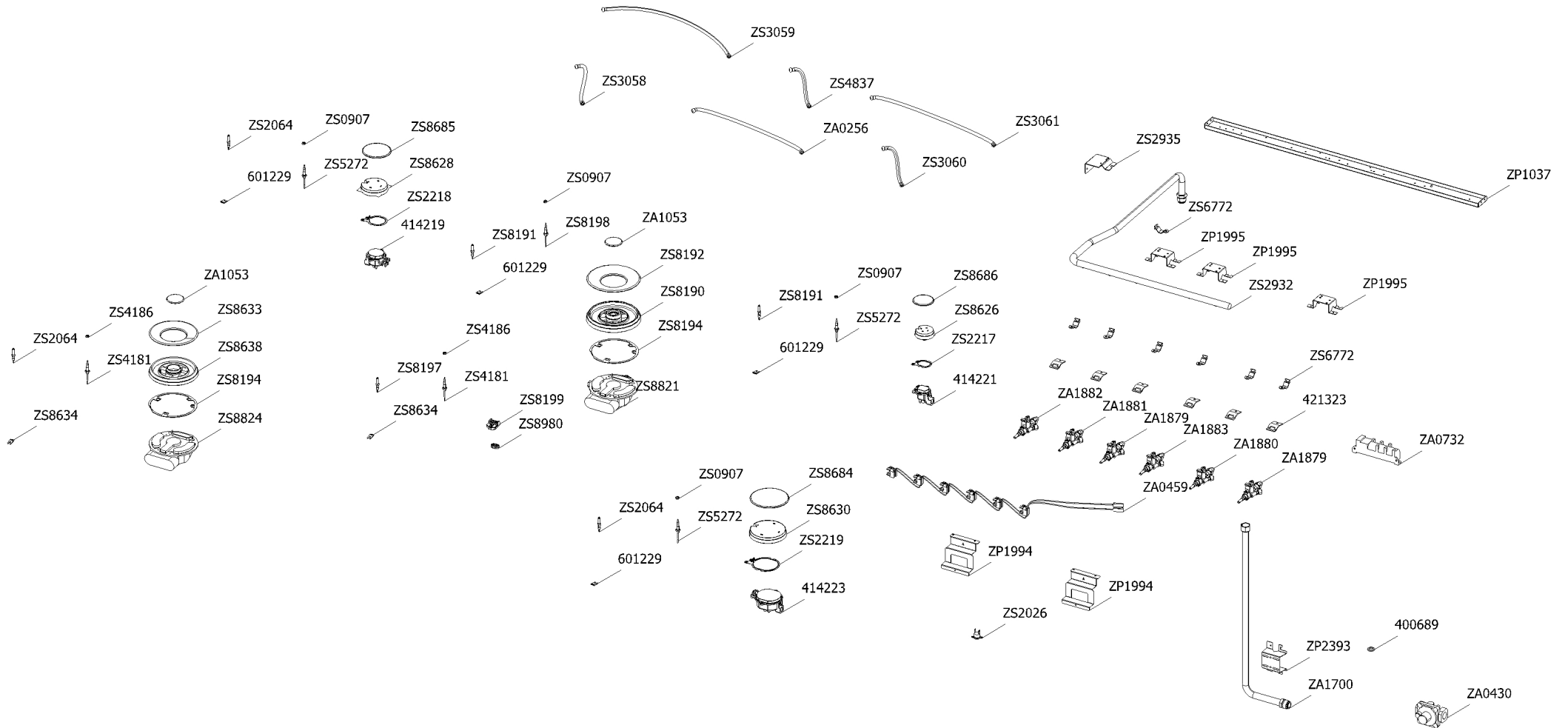
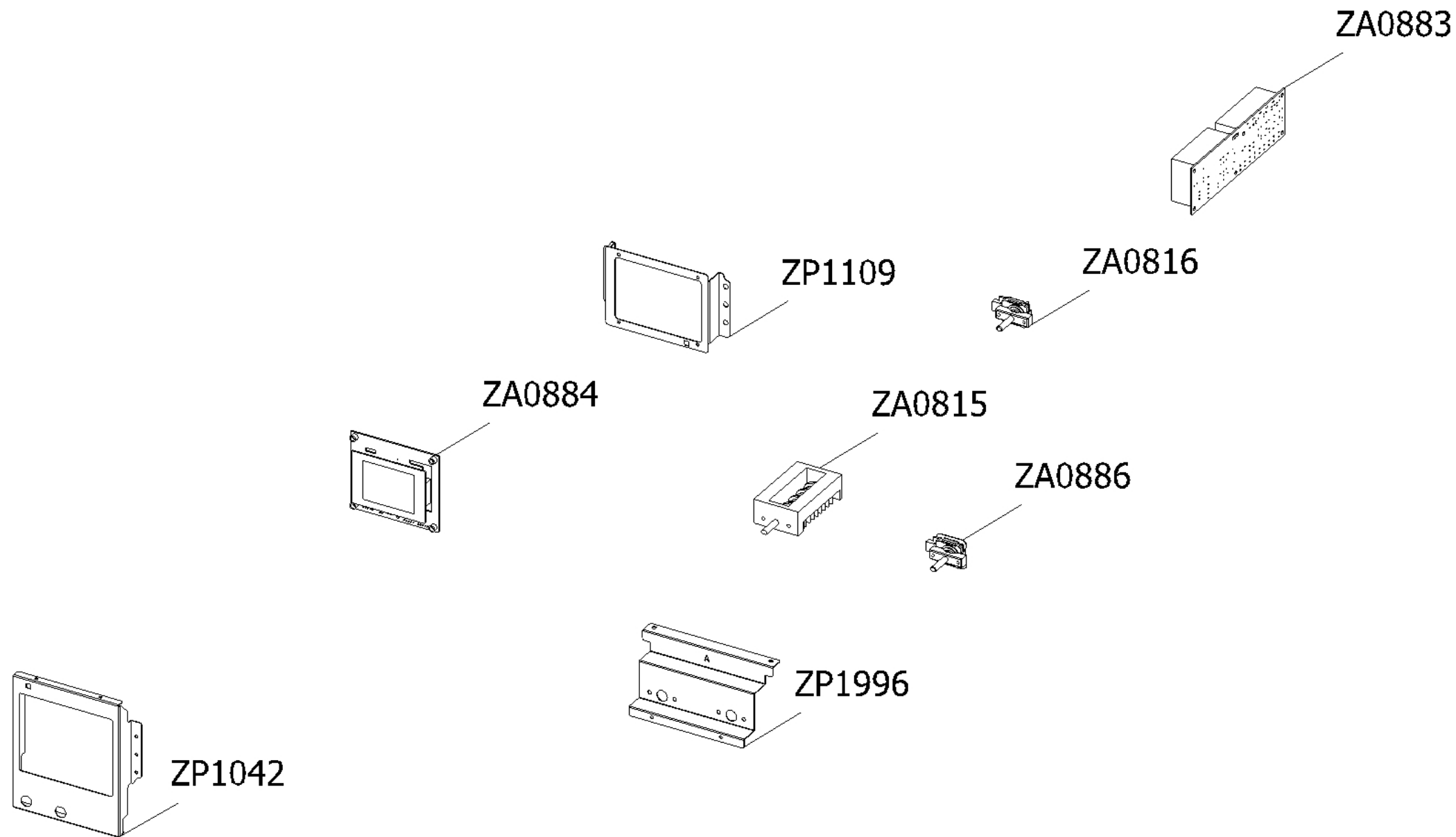


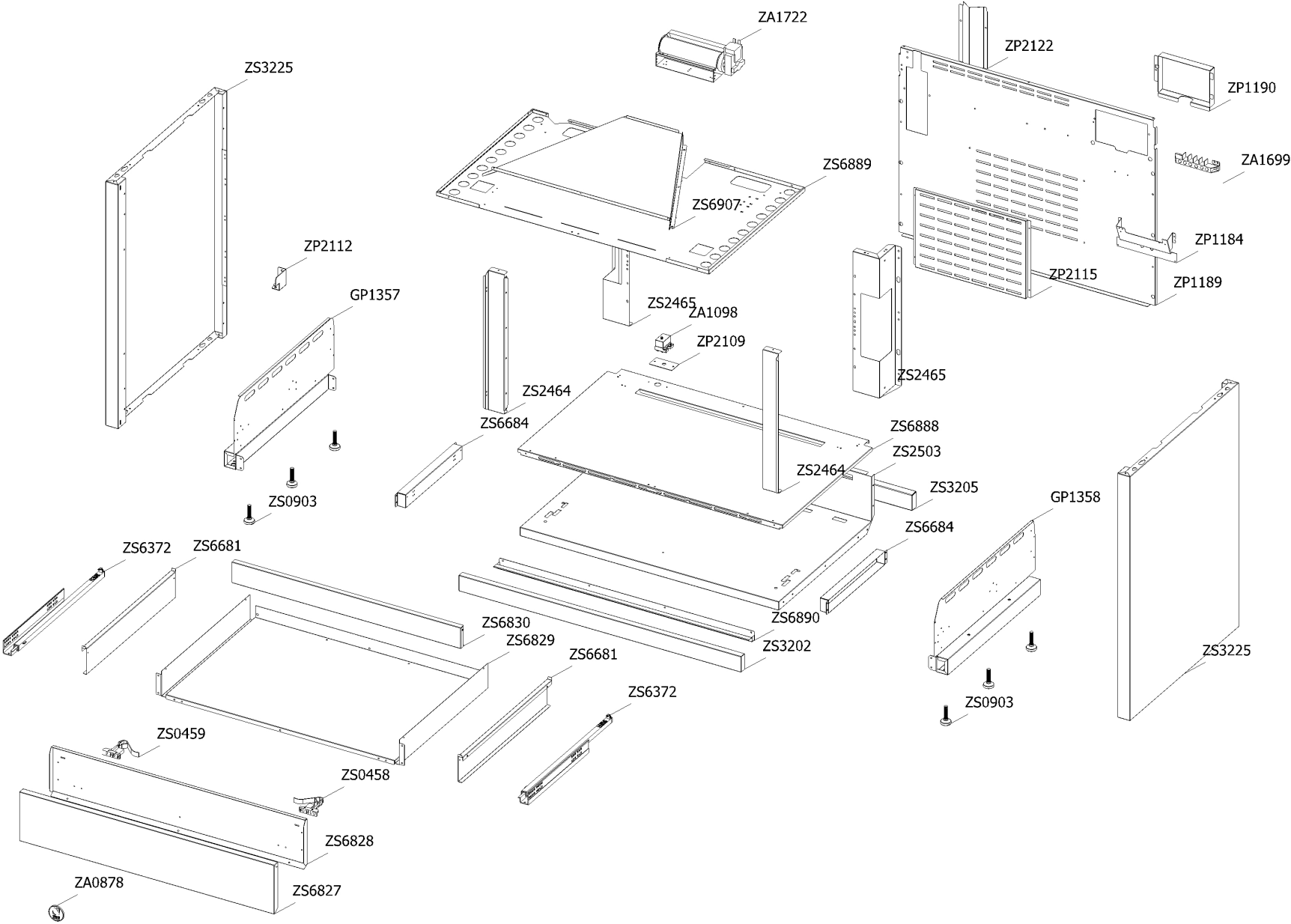
Code	Description	Qty	Code	Description	Qty
ZC0333	Profile control panel drawer 90 Ascot internal black	1			
ZC1226	Control panel front 5FI induction Ascot 90 SABBIA with serygr.	1			
ZP0394	Profile control panel drawer 90 Ascot external inox	1			
ZP1044	Lower drawer door H 155 X7C2	1			
ZS0565	Cast-iron grid for wok	1			
ZS3184	Back splash for cooker 90 Ascot	1			
ZS3305	Fixing plate for top Ascot	2			
ZS3327	Support for internal support control panel 90 Ascot	1			
ZS4390	Cast-iron grid 1 burner Ascot 07	1			
ZS4391	Cast-iron grid 2 burners Ascot 07	2			
ZS5412	* Ascot chromed knob	8			
ZS7681	Complete upper right side Ascot	1			
ZS7682	Complete upper left side Ascot	1			
ZS8173	* Handle for hob cooker Ascot 90 chromed terminal nickel	1			



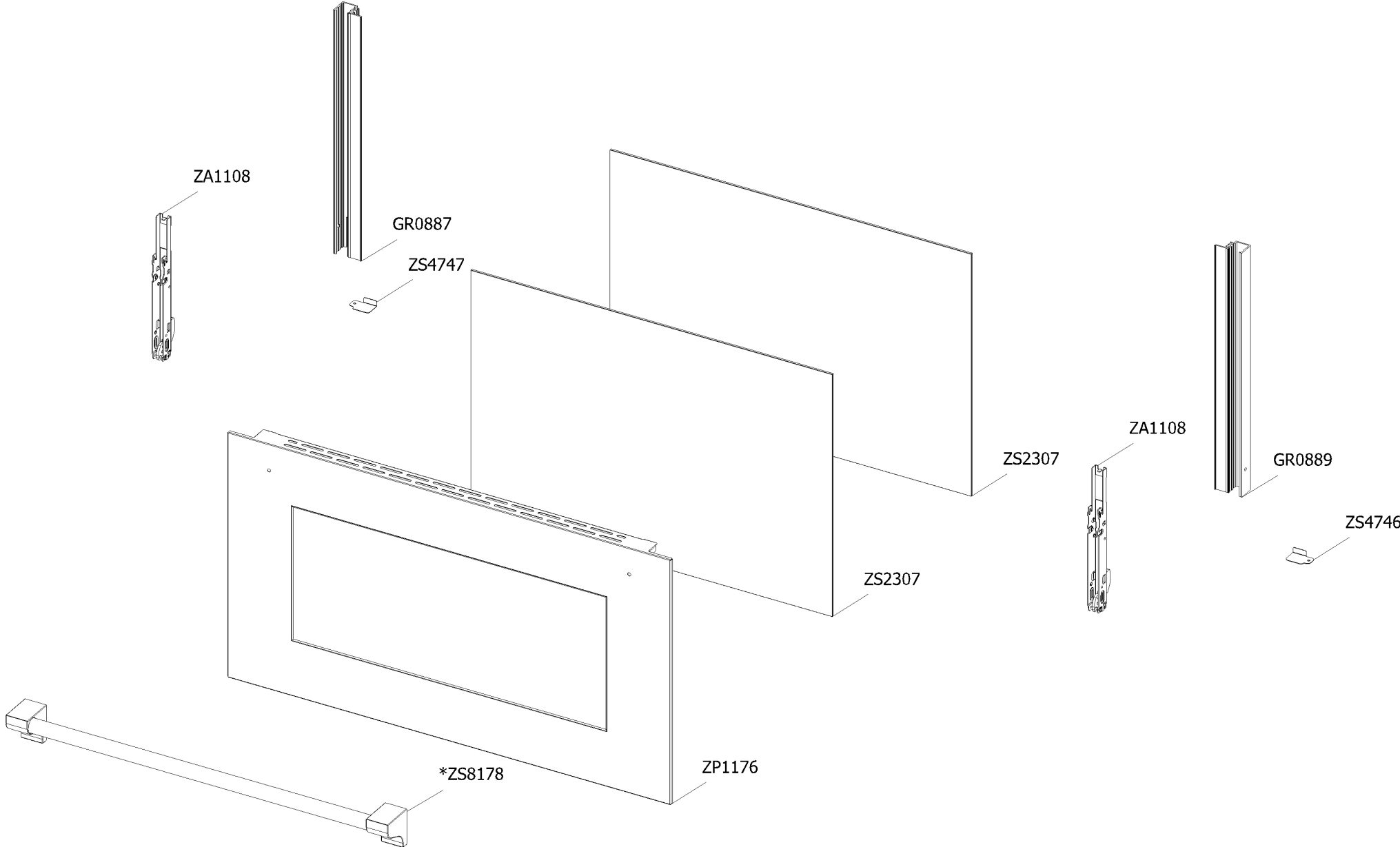
Code	Description	Qty	Code	Description	Qty
400689	Gasket gas inlet	1	ZS5272	Thermocouple Cast L=770	3
414219	Semi rapid burner body G20 1,20	1	ZS6772	Clamp support for main ramp	7
414221	Auxiliary burner body 0,90	1	ZS8190	Mega Wok burner flame spreader BRASS	1
414223	Rapid burner body G20/10 1,50	1	ZS8191	Wok burner spark plug sbf DCC M+G INT	2
421323	Gas taps fixing bridle M60	6	ZS8192	Plate Mega Wok burner external	1
601229	Spring fixing spark plug for triple ring P-4	4	ZS8194	Gasket for wok burner	2
ZA0256	Pipe ramp for t.c. 4.5 central burner cooker DCC 90/120	1	ZS8197	Mega Wok burner spark plug sbf DCC G EXT	1
ZA0430	Gas pressure regulator Nat 4 / GPL 11	1	ZS8198	Thermocouple SBF L=750 DCC	1
ZA0459	Ignition switches for six burners' cooker	1	ZS8199	Support for thermocouple DCC	1
ZA0732	Ignition system 6 flames	1	ZS8626	Auxiliary burner flame spreader HE2 BRASS	1
ZA1053	Plate central Wok burner	2	ZS8628	Semi-rapid burner flame spreader HE2 BRASS	1
ZA1700	Pipe extender Ascot	1	ZS8630	Rapid burner flame spreader HE2 BRASS	1
ZA1879	Valved tap for auxiliary burner (bypass 0,35) CSA	2	ZS8633	Plate Wok burner external	1
ZA1880	Valved tap for rapid/fish-kettle burner CSA	1	ZS8634	Spring fixing spark plug for Wok	2
ZA1881	Valved tap for semi-rapid burner CSA	1	ZS8638	Wok burner flame spreader BRASS	1
ZA1882	Valved tap for triple-ring burner CSA	1	ZS8684	Plate rapid burner HE2	1
ZA1883	Valved tap for mega wok-ring burner CSA	1	ZS8685	Plate semi-rapid burner HE2	1
ZP1037	Clamp support for ramp Ascot 090	1	ZS8686	Plate auxiliary burner HE2	1
ZP1994	Commutator support 2 positions	2	ZS8821	Mega Wok burner body G20/10 0,80 1.65	1
ZP1995	Commutator support 2 positions	3	ZS8824	Wok burner body G20/10 1.65	1
ZP2393	Commutator support 2 positions	1	ZS8980	Gasket for Mega wok thermocouple support	1
ZS0907	Fixing nut for themocouple	4			
ZS2026	Thermostat TY60 N.O. fixing B	1			
ZS2064	Burner spark plug sbf L=900	3			
ZS2217	Gasket for auxiliary burner	1			
ZS2218	Gasket for semi-rapid burner	1			
ZS2219	Gasket for rapid burner	1			
ZS2932	Ramp 6 burners cooker 090/100 double oven 06	1			
ZS2935	Rear ramp fixing support cooker 90/120	1			
ZS3058	Pipe ramp for front left triple ring burner cooker 90 05	1			
ZS3059	Pipe ramp for rear left semi-rapid burner cooker 90 05	1			
ZS3060	Pipe ramp for front right auxiliary burner cooker 90 05	1			
ZS3061	Pipe ramp for rear right rapid burner cooker 90 05	1			
ZS4181	Thermocouple SBF L=750 TC	2			
ZS4186	Fixing nut for thermocouple burner 4.5	2			
ZS4837	Pipe ramp for t.c. 4.5 external burner cooker	1			



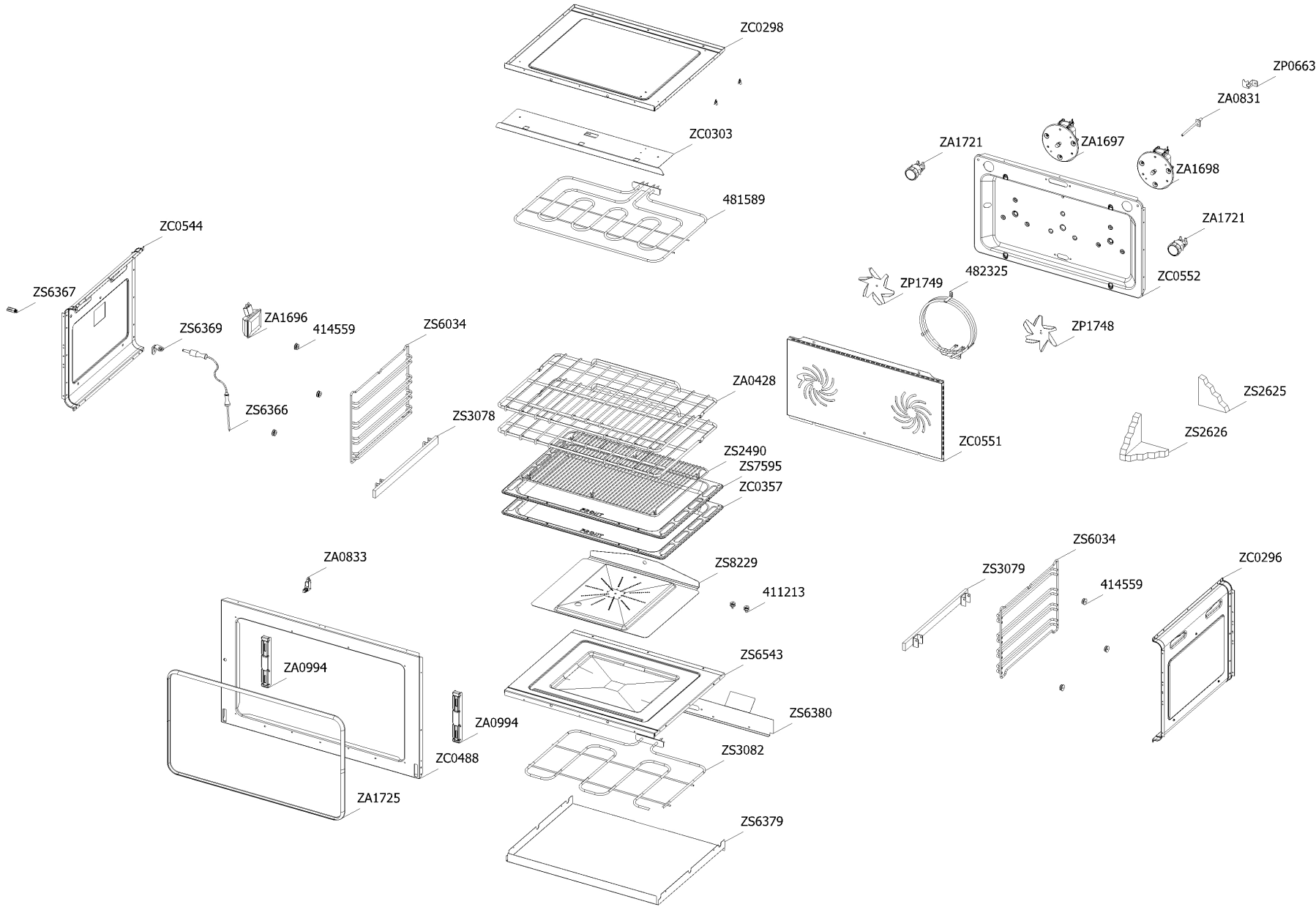
Code	Description	Qty	Code	Description	Qty
ZA0815	Steam oven functions switch	1			
ZA0816	Energy regulator for oven 230 V	1			
ZA0883	Power board	1			
ZA0884	Timer (display)	1			
ZA0886	Encoder push oven	1			
ZP1042	Display support Ascot	1			
ZP1109	Electrical display support	1			
ZP1996	Commutator support 2 positions	1			



Code	Description	Qty	Code	Description	Qty
GP1357	Assembly support lower left side Ascot	1			
GP1358	Assembly support lower right side Ascot	1			
ZA0878	"Lancellotti" plate	1			
ZA1098	thermostat oven	1			
ZA1699	Terminal block for appliance UL	1			
ZA1722	Cooling fan L=180 IMS UL	1			
ZP1184	Rear bracket for 7-pole terminal block	1			
ZP1189	Rear guard for cooker 90 Ascot	1			
ZP1190	Terminal board cover	1			
ZP2109	Display support	1			
ZP2112	Display support	1			
ZP2115	Display support	1			
ZP2122	Ramp hole closing plate	1			
ZS0458	Drawer right regulation clip	1			
ZS0459	Drawer left regulation clip	1			
ZS0903	Sintesi black foot H.15	6			
ZS2464	Front support for muffle left/right side 90 04	2			
ZS2465	Rear support for muffle left/right side 90 04	2			
ZS2503	Lower guard for cooker 090 04	1			
ZS3202	Plinth for cooker 90 Ascot	1			
ZS3205	Plinth rear for cooker 90 Ascot	1			
ZS3225	Complete lower right/left side Ascot S.STEEL	2			
ZS6372	Couple legobox rails partial opening push pull	1			
ZS6681	Drawer lateral side for cooker S.Steel	2			
ZS6684	Spacer for drawer guide	2			
ZS6827	Drawer door cooker 090 SF s.steel	1			
ZS6828	Counterdoor drawer cooker 90 SF	1			
ZS6829	Bottom drawer for cooker 090 S.Steel	1			
ZS6830	Drawer rear side for cooker 090 S.Steel	1			
ZS6888	Upper guard for drawer 90	1			
ZS6889	Muffle fan guard cooker 90 cm	1			
ZS6890	Bracket condensate collection for 090 Steam	1			
ZS6907	Air conveyor for cooktop 090/120 SF	1			



Code	Description	Qty	Code	Description	Qty
GP0639	Assembly glued oven door 90 Ascot	1			
--> GR0887	Assembly door 30/60/90 left bar profile SFT with gasket	1			
--> GR0889	Assembly door 30/60/90 right bar profile SFT with gasket	1			
--> ZA1108	Door hinge for oven 90 triple glass	2			
--> ZP1176	Glued external oven door 90	1			
--> ZS2307	Inner glass oven door 90	2			
--> ZS4746	Right support for inner glass	1			
--> ZS4747	Left support for inner glass	1			
--> ZS8178	* Handle for oven door 90 Ascot 90/120 chromed terminal nickel	1			



Code	Description	Qty	Code	Description	Qty
411213	Lateral frame support for built-in oven	2	ZS6379	Lower heating element tray oven 90	1
414559	Lateral frame support for built-in oven	6	ZS6380	Lower heating elem.support oven 90	1
481589	Grill heating element for oven 90	1	ZS6543	Complete muffle bottom for oven 90 S.Steel Steam	1
482325	Circular heating element 230V-2500W	1	ZS7595	Drip tray for oven 90 S.Steel TDL	1
601152	Spring fixing feeler for built-in oven	2	ZS8229	Steam generator cover 90	1
GP1012	Assembly rear muffle oven 90 enamelled grey	1			
--> ZC0552	Fan cover for oven 90 with turnspit hole 04 black	1			
ZA0428	S.steel wire grid for oven 30P	2			
ZA0831	Oven thermocouple PT1000	1			
ZA0833	Switch for oven door	1			
ZA0994	Hinge support 06	2			
ZA1696	Complete Lamp-holder for oven (max 25 W) UL	1			
ZA1697	Circular tangential oven 90 fan without fan and nut RO UL	1			
ZA1698	Circular tangential oven 90 fan without fan and nut RA UL	1			
ZA1721	Complete Lamp-holder for oven (max 25 W) UL	2			
ZA1725	Gasket oven 90 H=8.9 mat HT FDA	1			
ZC0296	Side muffle oven 30/60/90 enamelled 04 grey	1			
ZC0298	Enamelled muffle ceiling oven 90 grey	1			
ZC0303	Grill heating element support for muffle oven 90 enamelled grey	1			
ZC0357	Enamelled drip tray for oven 90 grey	1			
ZC0488	Enamelled muffle front side oven 90 grey	1			
ZC0544	Side muffle oven 30/60/90 enamelled 04 grey with lamp hole	1			
ZC0551	Fan cover for oven 90 with turnspit hole 04 black	1			
ZP0663	Probe plate	1			
ZP1748	fan clockwise rotation	1			
ZP1749	fan counterclockwise rotation	1			
ZS2490	Trivet for oven 90 04	1			
ZS2625	White glass wool for rear side 90 oven	1			
ZS2626	White glass wool for 90 oven 04	1			
ZS3078	Telescopic liner left	1			
ZS3079	Telescopic liner right	1			
ZS3082	Lower heating element for oven 90 (1400 W)	1			
ZS6034	Oven lateral frame 30/60/90 S.Steel	2			
ZS6366	Core probe programmer	1			
ZS6367	Meat probe's socket	1			
ZS6369	Cover for Meat probe's socket	1			

Code	Description	Qty	Code	Description	Qty
423947	Oven nozzle 196 G30/30 1,00	2			
423951	Auxiliary burner nozzle G30/30 0,50	1			
423994	Grill nozzle cooker 66 G30/30 0,73	1			
424061	Rapid burner nozzle G31/28 0,95	1			
424063	Auxiliary burner nozzle 66 0,53	1			
500906	Chromed black washer	4			
505241	Screw for tap M4x9	6			
ZA1616	Instruction booklet Timer - complete	1			
ZA1713	Wiring diagram for cooker TCK CPU 090 2V gas UL	1			
ZA1727	Instruction booklet user Top/Cooker USA	1			
ZA1728	Instruction booklet installer Top/Cooker USA	1			
ZA1940	Nut EGO	1			
ZA1947	Instruction booklet timer fast - USA	1			
ZP2137	Clamp support for commutator cooker Party	1			
ZS2419	Spring for door glass assembling 04	4			
ZS2931	Spacer between glasses	4			
ZS3078	Telescopic liner left	1			
ZS3079	Telescopic liner right	1			
ZS3495	Washer 4.3 x 10 x 3	4			
ZS6653	Carafe graduate 0.5	1			
ZS6679	O-ring 3021 viton	2			
ZS7088	Turnspit hole cap	1			
ZS8200	Screw M3.5x6	1			
ZS8635	Screw M4 x 8 wok burner	8			
ZS8645	Pins for Wok	1			

Code	Description	Qty	Code	Description	Qty
411213	Lateral frame support for built-in oven	2	ZS8190	Mega Wok burner flame spreader BRASS	1
481589	Grill heating element for oven 90	1	ZS8191	Wok burner spark plug sbf DCC M+G INT	2
482325	Circular heating element 230V-2500W	1	ZS8192	Plate Mega Wok burner external	1
ZA0459	Ignition switches for six burners' cooker	1	ZS8194	Gasket for wok burner	2
ZA0732	Ignition system 6 flames	1	ZS8197	Mega Wok burner spark plug sbf DCC G EXT	1
ZA0815	Steam oven functions switch	1	ZS8198	Thermocouple SBF L=750 DCC	1
ZA0816	Energy regulator for oven 230 V	1	ZS8199	Support for thermocouple DCC	1
ZA0831	Oven thermocouple PT1000	1	ZS8200	Screw M3.5x6	1
ZA0883	Power board	1	ZS8626	Auxiliary burner flame spreader HE2 BRASS	1
ZA0884	Timer (display)	1	ZS8628	Semi-rapid burner flame spreader HE2 BRASS	1
ZA0886	Encoder push oven	1	ZS8630	Rapid burner flame spreader HE2 BRASS	1
ZA1053	Plate central Wok burner	2	ZS8633	Plate Wok burner external	1
ZA1098	thermostat oven	1	ZS8635	Screw M4 x 8 wok burner	8
ZA1108	Door hinge for oven 90 triple glass	2	ZS8638	Wok burner flame spreader BRASS	1
ZA1696	Complete Lamp-holder for oven (max 25 W) UL	1	ZS8645	Pins for Wok	1
ZA1697	Circular tangential oven 90 fan without fan and nut RO UL	1	ZS8684	Plate rapid burner HE2	1
ZA1698	Circular tangential oven 90 fan without fan and nut RA UL	1	ZS8685	Plate semi-rapid burner HE2	1
ZA1721	Complete Lamp-holder for oven (max 25 W) UL	2	ZS8686	Plate auxiliary burner HE2	1
ZA1722	Cooling fan L=180 IMS UL	1	ZS8821	Mega Wok burner body G20/10 0,80 1.65	1
ZA1725	Gasket oven 90 H=8.9 mat HT FDA	1	ZS8824	Wok burner body G20/10 1.65	1
ZA1879	Valved tap for auxiliary burner (bypass 0,35) CSA	2	ZS8980	Gasket for Mega wok thermocouple support	1
ZA1880	Valved tap for rapid/fish-kettle burner CSA	1			
ZA1881	Valved tap for semi-rapid burner CSA	1			
ZA1882	Valved tap for triple-ring burner CSA	1			
ZA1883	Valved tap for mega wok-ring burner CSA	1			
ZA1940	Nut EGO	1			
ZS2026	Thermostat TY60 N.O. fixing B	1			
ZS2064	Burner spark plug sbf L=900	3			
ZS2217	Gasket for auxiliary burner	1			
ZS2218	Gasket for semi-rapid burner	1			
ZS2219	Gasket for rapid burner	1			
ZS3082	Lower heating element for oven 90 (1400 W)	1			
ZS4181	Thermocouple SBF L=750 TC	2			
ZS4186	Fixing nut for thermocouple burner 4.5	2			
ZS5272	Thermocouple Cast L=770	3			
ZS6372	Couple legobox rails partial opening push pull	1			