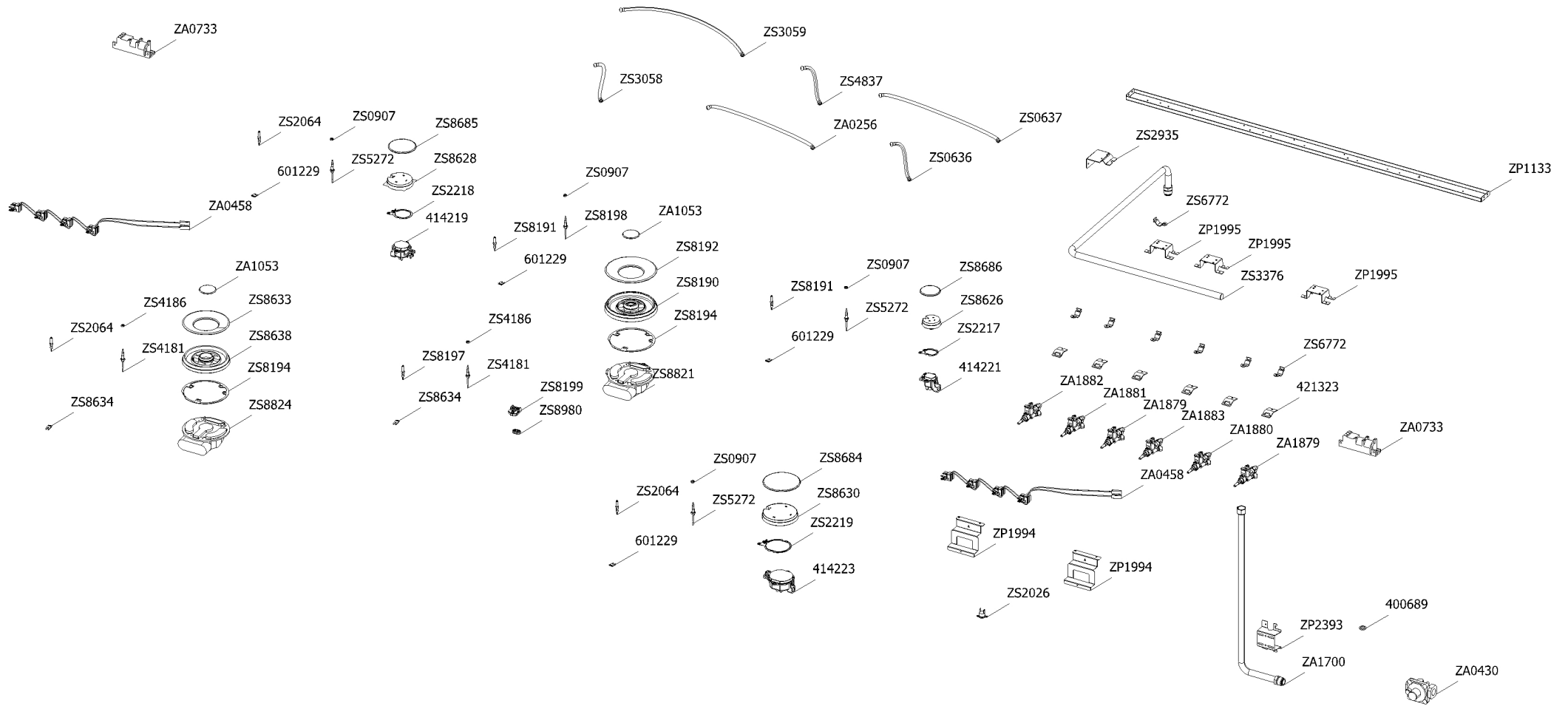
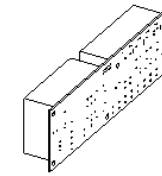


<b>Code</b>	<b>Description</b>	<b>Qty</b>	<b>Code</b>	<b>Description</b>	<b>Qty</b>
ZA0742	Fluorescent orange warning light UL	2			
ZA1702	Heating element barbecue 1200/240 th.7 UL	2			
ZA1744	Energy regulator 240V EGO UL	2			
ZC0335	Profile control panel drawer 120 Ascot internal black	1			
ZC1195	Control panel front 4 burners B/T + C Ascot 120 TCK CPU S.STEEL with serygr.	1			
ZP0399	Profile control panel drawer 120 Ascot external inox	1			
ZP0791	Complete spill tray cooker 120 4 burners+ barbecue grid Ascot	1			
ZP1996	Commutator support 2 positions	1			
ZP2250	Genesi right side extension 40 mm	1			
ZP2253	Genesi right side extension 40 mm	1			
ZS0553	Fry-top/barbecue stainless steel covering	1			
ZS0565	Cast-iron grid for wok	1			
ZS0580	Fry-top cast-iron griddle	1			
ZS0820	Barbecue cast-iron griddle support	1			
ZS1204	Transparent lens	2			
ZS1667	Protection frame for barbecue griddle	1			
ZS3186	Back splash for cooker 120 Ascot	1			
ZS3305	Fixing plate for top Ascot	2			
ZS3644	Support for internal support control panel 120 Ascot	1			
ZS4390	Cast-iron grid 1 burner Ascot 07	1			
ZS4391	Cast-iron grid 2 burners Ascot 07	2			
ZS5412	* Ascot chromed knob	11			
ZS7681	Complete upper right side Ascot	1			
ZS7682	Complete upper left side Ascot	1			
ZS8175	* Handle for hob cooker Ascot 120 chromed terminal nickel	1			



<b>Code</b>	<b>Description</b>	<b>Qty</b>	<b>Code</b>	<b>Description</b>	<b>Qty</b>
400689	Gasket gas inlet	1	ZS4837	Pipe ramp for t.c. 4.5 external burner cooker	1
414219	Semi rapid burner body G20 1,20	1	ZS5272	Thermocouple Cast L=770	3
414221	Auxiliary burner body 0,90	1	ZS6772	Clamp support for main ramp	7
414223	Rapid burner body G20/10 1,50	1	ZS8190	Mega Wok burner flame spreader BRASS	1
421323	Gas taps fixing bridle M60	6	ZS8191	Wok burner spark plug sbf DCC M+G INT	2
601229	Spring fixing spark plug for triple ring P-4	4	ZS8192	Plate Mega Wok burner external	1
ZA0256	Pipe ramp for t.c. 4.5 central burner cooker DCC 90/120	1	ZS8194	Gasket for wok burner	2
ZA0430	Gas pressure regulator Nat 4 / GPL 11	1	ZS8197	Mega Wok burner spark plug sbf DCC G EXT	1
ZA0458	Micro catenary for 4 burners	2	ZS8198	Thermocouple SBF L=750 DCC	1
ZA0733	Ignition system 4 flames	2	ZS8199	Support for thermocouple DCC	1
ZA1053	Plate central Wok burner	2	ZS8626	Auxiliary burner flame spreader HE2 BRASS	1
ZA1700	Pipe extender Ascot	1	ZS8628	Semi-rapid burner flame spreader HE2 BRASS	1
ZA1879	Valved tap for auxiliary burner (bypass 0,35) CSA	2	ZS8630	Rapid burner flame spreader HE2 BRASS	1
ZA1880	Valved tap for rapid/fish-kettle burner CSA	1	ZS8633	Plate Wok burner external	1
ZA1881	Valved tap for semi-rapid burner CSA	1	ZS8634	Spring fixing spark plug for Wok	2
ZA1882	Valved tap for triple-ring burner CSA	1	ZS8638	Wok burner flame spreader BRASS	1
ZA1883	Valved tap for mega wok-ring burner CSA	1	ZS8684	Plate rapid burner HE2	1
ZP1133	Clamp support for ramp Ascot 120	1	ZS8685	Plate semi-rapid burner HE2	1
ZP1994	Commutator support 2 positions	2	ZS8686	Plate auxiliary burner HE2	1
ZP1995	Commutator support 2 positions	3	ZS8821	Mega Wok burner body G20/10 0,80 1.65	1
ZP2393	Commutator support 2 positions	1	ZS8824	Wok burner body G20/10 1.65	1
ZS0636	Pipe ramp for front right auxiliary burner cooker 120 double oven 6 burners	1	ZS8980	Gasket for Mega wok thermocouple support	1
ZS0637	Pipe ramp for rear right rapid burner cooker 120 double oven 6 burners	1			
ZS0907	Fixing nut for themocouple	4			
ZS2026	Thermostat TY60 N.O. fixing B	1			
ZS2064	Burner spark plug sbf L=900	3			
ZS2217	Gasket for auxiliary burner	1			
ZS2218	Gasket for semi-rapid burner	1			
ZS2219	Gasket for rapid burner	1			
ZS2935	Rear ramp fixing support cooker 90/120	1			
ZS3058	Pipe ramp for front left triple ring burner cooker 90 05	1			
ZS3059	Pipe ramp for rear left semi-rapid burner cooker 90 05	1			
ZS3376	Ramp 6 burners cooker 120 double oven 06	1			
ZS4181	Thermocouple SBF L=750 TC	2			
ZS4186	Fixing nut for thermocouple burner 4.5	2			

ZA0883



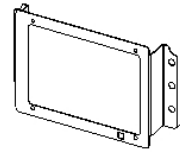
ZA0816



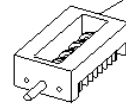
482120



ZP1109

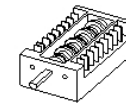


ZA0815

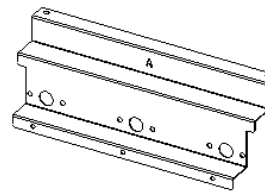


ZA0886

ZS7893

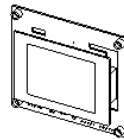


ZP1997

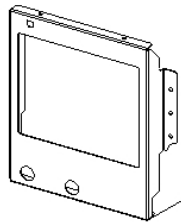


ZA0742

ZA0884



ZP1042



ZS1204



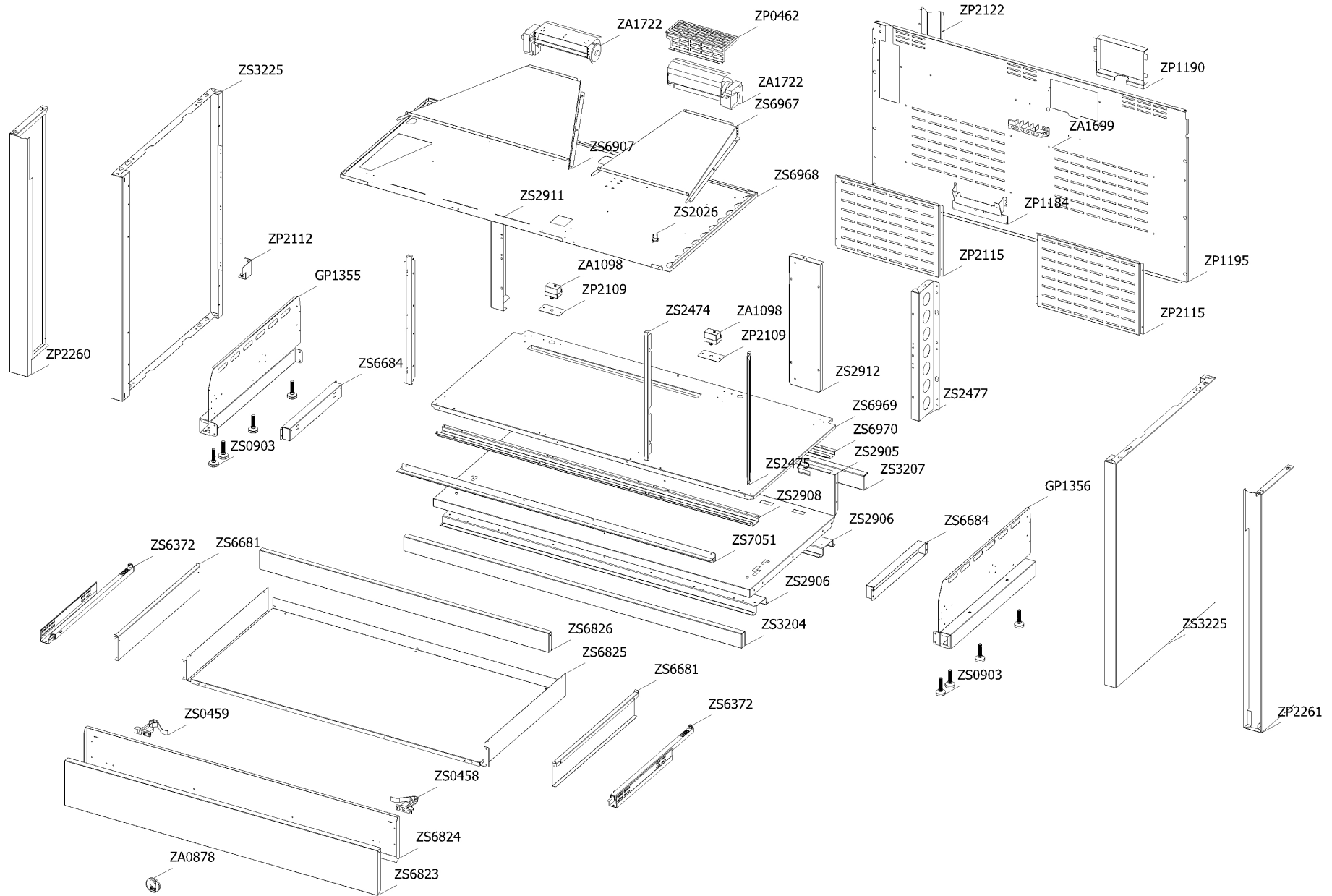
**Cucina ascot AQY12SF-4TM SS-C OT Steel G20/12 240/60 USA**

CLIENTE

<b>Code</b>	<b>Description</b>	<b>Qty</b>	<b>Code</b>	<b>Description</b>	<b>Qty</b>
482120	Thermostat cooker 192	1			
ZA0742	Fluorescent orange warning light UL	1			
ZA0815	Steam oven functions switch	1			
ZA0816	Energy regulator for oven 230 V	1			
ZA0883	Power board	1			
ZA0884	Timer (display)	1			
ZA0886	Encoder push oven	1			
ZP1042	Display support Ascot	1			
ZP1109	Electrical display support	1			
ZP1997	Commutator support 3 positions	1			
ZS1204	Transparent lens	1			
ZS7893	Commutator oven functions 060 R	1			

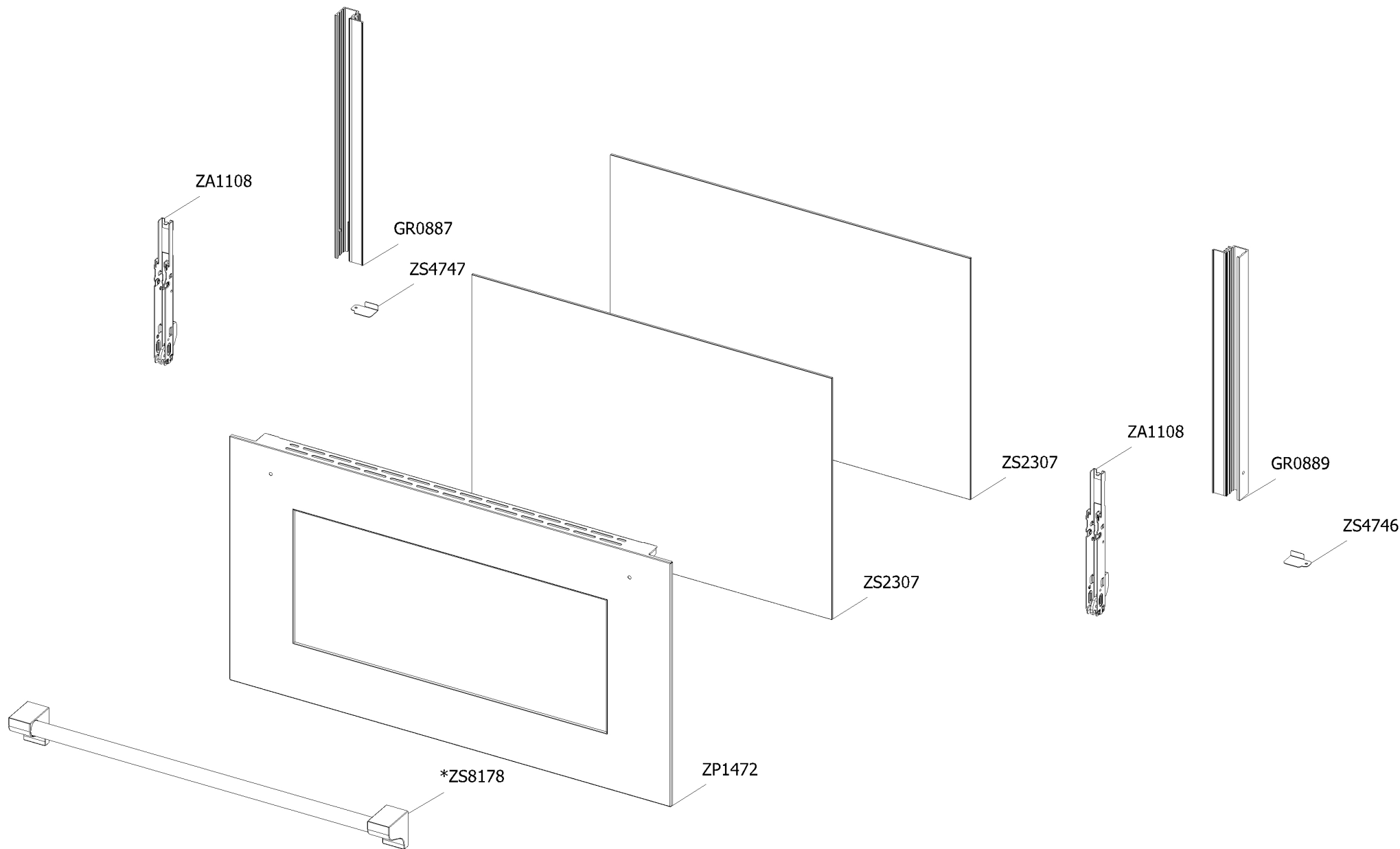
# Cucina ascot AQY12SF-4TM SS-C OT Steel G20/12 240/60 USA

CLIENTE



Code	Description	Qty	Code	Description	Qty
GP1355	Assembly support lower left side Ascot	1	ZS6824	Counterdoor drawer cooker 120 DC SF	1
GP1356	Assembly support lower right side Ascot	1	ZS6825	Bottom drawer for cooker 120 DC S.Steel	1
ZA0878	"Lancellotti" plate	1	ZS6826	Drawer rear side for cooker 120 double oven S.Steel	1
ZA1098	thermostat oven	2	ZS6907	Air conveyor for cooktop 090/120 SF	1
ZA1699	Terminal block for appliance UL	1	ZS6967	Air conveyor for cooktop 030/120 double oven	1
ZA1722	Cooling fan L=180 IMS UL	2	ZS6968	Muffle fan guard cooker 120/120 double oven	1
ZP0462	Tangential cover for induction cooker	1	ZS6969	Drawer upper guard for cooker 120 double oven	1
ZP1184	Rear bracket for 7-pole terminal block	1	ZS6970	Reinforcement for ceiling drawer cooker 120 double oven 04	1
ZP1190	Terminal board cover	1	ZS7051	Bracket condensate collection for 120 DC Steam	1
ZP1195	Rear guard for cooker 120 double oven Ascot	1			
ZP2109	Display support	2			
ZP2112	Display support	1			
ZP2115	Display support	2			
ZP2122	Ramp hole closing plate	1			
ZP2260		1			
ZP2261		1			
ZS0458	Drawer right regulation clip	1			
ZS0459	Drawer left regulation clip	1			
ZS0903	Sintesi black foot H.15	8			
ZS2026	Thermostat TY60 N.O. fixing B	1			
ZS2474	Front central muffle support cooker 100/120 double oven	1			
ZS2475	Front support for muffle left/right side 100/120 double/triple oven cooker	1			
ZS2477	Rear support for muffle left/right side cooker 100 double/triple oven	1			
ZS2905	Lower guard for cooker 120 double oven 04	1			
ZS2906	Reinforcement for lower guard cooker 120 double oven 04	2			
ZS2908	Reinforcement for ceiling drawer cooker 120 double oven 04	1			
ZS2911	Rear support for muffle left side oven 90/120 double oven	1			
ZS2912	Rear central support for muffle cooker 120 double oven	1			
ZS3204	Plinth for cooker 120 Ascot	1			
ZS3207	Plinth rear for cooker 120 Ascot	1			
ZS3225	Complete lower right/left side Ascot S.STEEL	2			
ZS6372	Couple legobox rails partial opening push pull	1			
ZS6681	Drawer lateral side for cooker S.Steel	2			
ZS6684	Spacer for drawer guide	2			
ZS6823	Drawer door cooker 120 DC SF S.Steel	1			

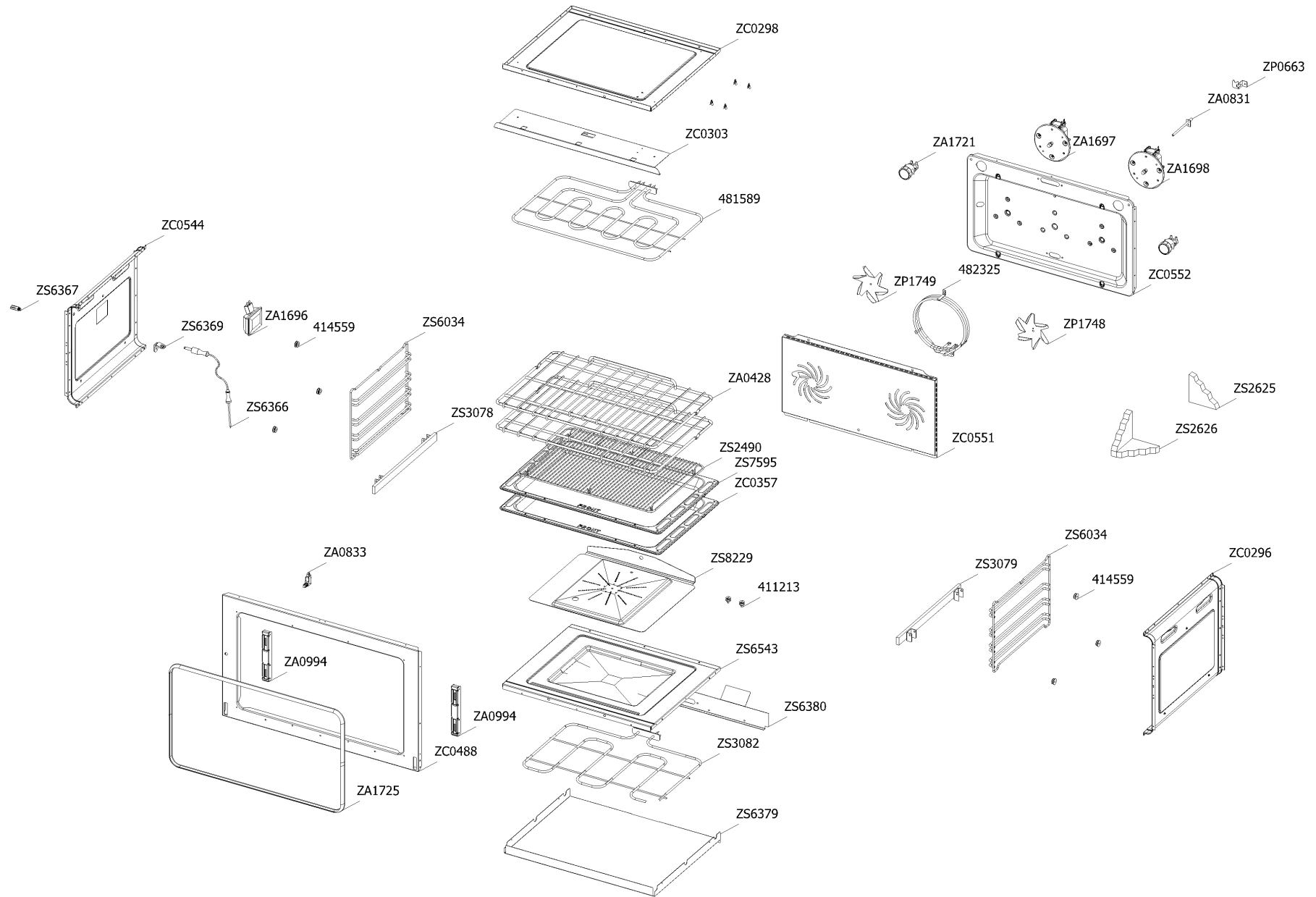




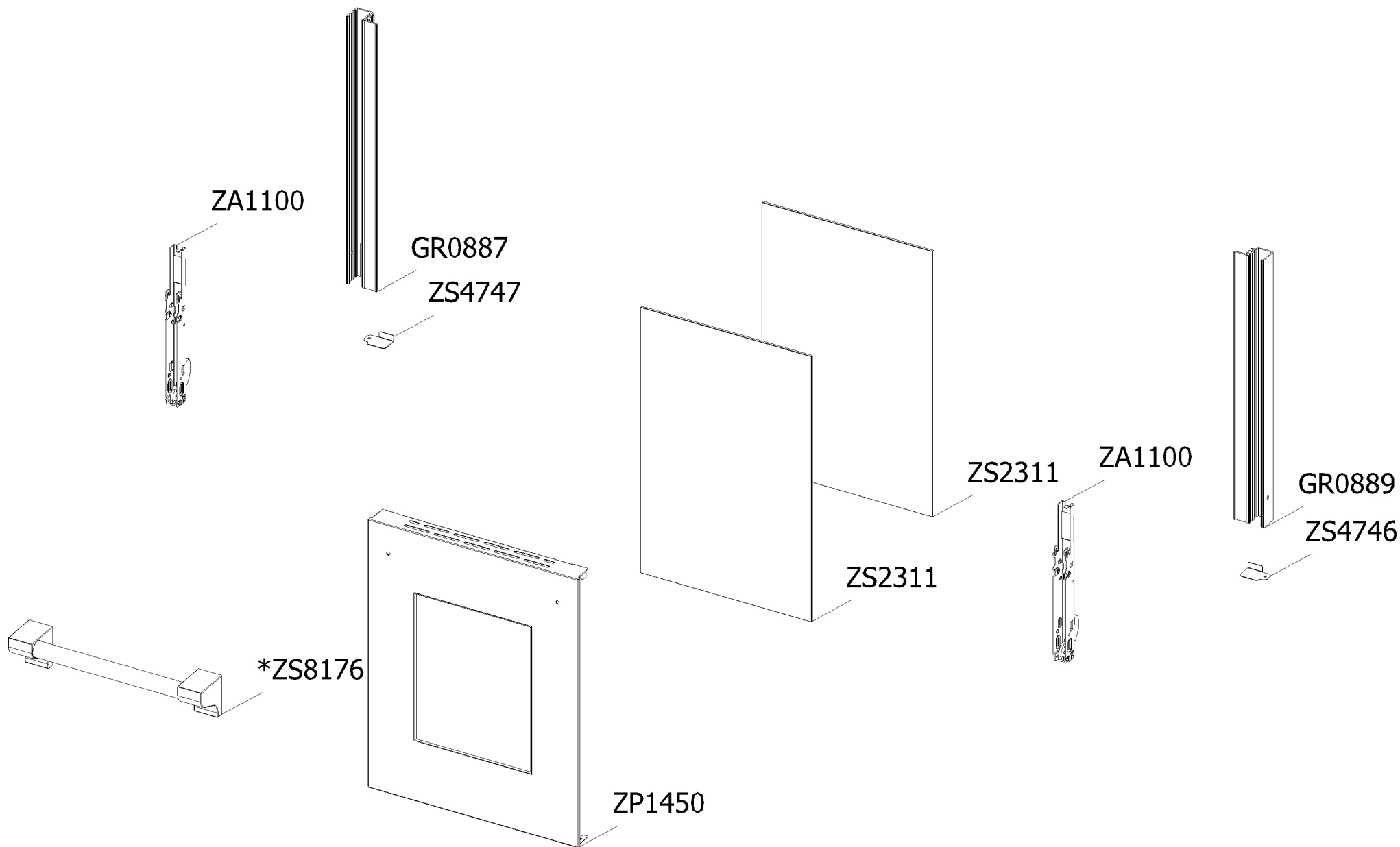
**Cucina ascot AQY12SF-4TM SS-C OT Steel G20/12 240/60 USA**

CLIENTE

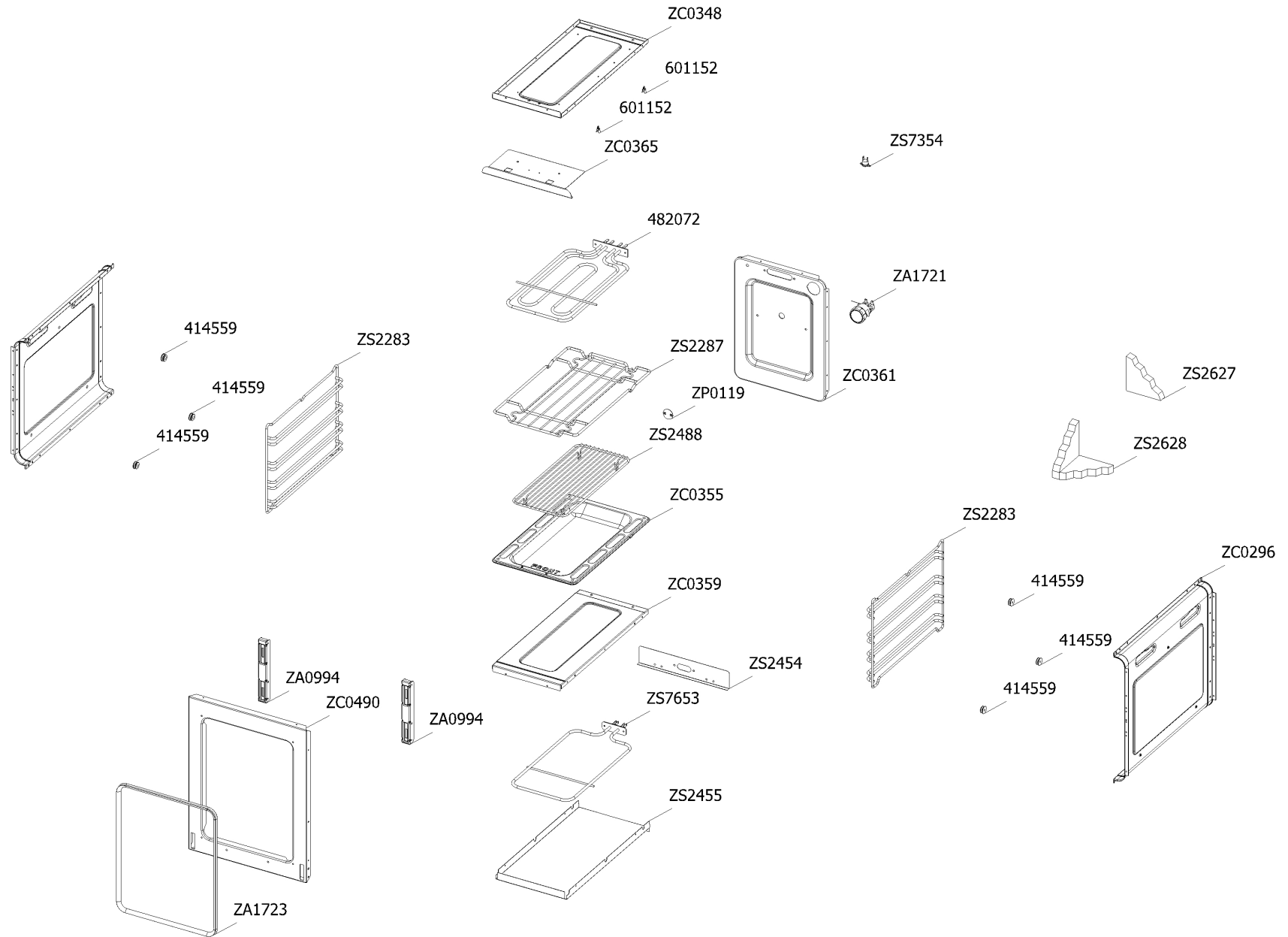
<b>Code</b>	<b>Description</b>	<b>Qty</b>	<b>Code</b>	<b>Description</b>	<b>Qty</b>
GP0709	Assembly glued oven door 30 s.steel Ascot	1			
--> GR0887	Assembly door 30/60/90 left bar profile SFT with gasket	1			
--> GR0889	Assembly door 30/60/90 right bar profile SFT with gasket	1			
--> ZS4746	Right support for inner glass	1			
--> ZS4747	Left support for inner glass	1			
ZA1108	Door hinge for oven 90 triple glass	2			
ZP1472	Glued external oven door 90/120 double oven	1			
ZS2307	Inner glass oven door 90	2			
ZS8178	* Handle for oven door 90 Ascot 90/120 chromed terminal nickel	1			



Code	Description	Qty	Code	Description	Qty
411213	Lateral frame support for built-in oven	2	ZS6379	Lower heating element tray oven 90	1
414559	Lateral frame support for built-in oven	6	ZS6380	Lower heating elem.support oven 90	1
481589	Grill heating element for oven 90	1	ZS6543	Complete muffle bottom for oven 90 S.Steel Steam	1
482325	Circular heating element 230V-2500W	1	ZS7595	Drip tray for oven 90 S.Steel TDL	1
601152	Spring fixing feeler for built-in oven	2	ZS8229	Steam generator cover 90	1
GP1012	Assembly rear muffle oven 90 enamelled grey	1			
--> ZC0552	Fan cover for oven 90 with turnspit hole 04 black	1			
ZA0428	S.steel wire grid for oven 30P	2			
ZA0831	Oven thermocouple PT1000	1			
ZA0833	Switch for oven door	1			
ZA0994	Hinge support 06	2			
ZA1696	Complete Lamp-holder for oven (max 25 W) UL	1			
ZA1697	Circular tangential oven 90 fan without fan and nut RO UL	1			
ZA1698	Circular tangential oven 90 fan without fan and nut RA UL	1			
ZA1721	Complete Lamp-holder for oven (max 25 W) UL	1			
ZA1725	Gasket oven 90 H=8.9 mat HT FDA	1			
ZC0296	Side muffle oven 30/60/90 enamelled 04 grey	1			
ZC0298	Enamelled muffle ceiling oven 90 grey	1			
ZC0303	Grill heating element support for muffle oven 90 enamelled grey	1			
ZC0357	Enamelled drip tray for oven 90 grey	1			
ZC0488	Enamelled muffle front side oven 90 grey	1			
ZC0544	Side muffle oven 30/60/90 enamelled 04 grey with lamp hole	1			
ZC0551	Fan cover for oven 90 with turnspit hole 04 black	1			
ZP0663	Probe plate	1			
ZP1748	fan clockwise rotation	1			
ZP1749	fan counterclockwise rotation	1			
ZS2490	Trivet for oven 90 04	1			
ZS2625	White glass wool for rear side 90 oven	1			
ZS2626	White glass wool for 90 oven 04	1			
ZS3078	Telescopic liner left	1			
ZS3079	Telescopic liner right	1			
ZS3082	Lower heating element for oven 90 (1400 W)	1			
ZS6034	Oven lateral frame 30/60/90 S.Steel	2			
ZS6366	Core probe programmer	1			
ZS6367	Meat probe's socket	1			
ZS6369	Cover for Meat probe's socket	1			



<b>Code</b>	<b>Description</b>	<b>Qty</b>	<b>Code</b>	<b>Description</b>	<b>Qty</b>
GP0676	Assembly glued oven door 90/120 double oven Ascot	1			
--> GR0887	Assembly door 30/60/90 left bar profile SFT with gasket	1			
--> GR0889	Assembly door 30/60/90 right bar profile SFT with gasket	1			
--> ZS4746	Right support for inner glass	1			
--> ZS4747	Left support for inner glass	1			
ZA1100	Door hinge for oven 30 triple glass	2			
ZP1450	Glued external oven door 30 KL	1			
ZS2311	Inner glass oven door 30	2			
ZS8176	* Handle for oven door 30 Ascot 100/120 chromed terminal nickel	1			



<b>Code</b>	<b>Description</b>	<b>Qty</b>	<b>Code</b>	<b>Description</b>	<b>Qty</b>
414559	Lateral frame support for built-in oven	6			
482072	Upper heating element cooker	1			
601152	Spring fixing feeler for built-in oven	2			
ZA0994	Hinge support 06	2			
ZA1721	Complete Lamp-holder for oven (max 25 W) UL	1			
ZA1723	Gasket oven 30 FDA	1			
ZC0296	Side muffle oven 30/60/90 enamelled 04 grey	2			
ZC0348	Enamelled muffle ceiling oven 30 grey	1			
ZC0355	Enamelled drip tray for oven 30 grey	1			
ZC0359	Enamelled muffle bottom for oven 30 grey	1			
ZC0361	Muffle rear side oven 30 enamelled grey	1			
ZC0365	Grill heating element support for muffle oven 30 enamelled grey	1			
ZC0490	Enamelled muffle front side oven 30 grey	1			
ZP0119	Turnspit hole cap	1			
ZS2283	Oven lateral frame 30/60/90	2			
ZS2287	Chromed wire grid for oven 30	1			
ZS2454	Lower heating elem.support oven 30 04	1			
ZS2455	Lower heating element tray oven 30 04	1			
ZS2488	Trivet for oven 30 04	1			
ZS2627	White glass wool for rear side 30 oven 04	1			
ZS2628	White glass wool for 30 oven 04	1			
ZS7354	Thermoswitch 16 Ampere	1			
ZS7653	Lower heating element for oven 30	1			



Code	Description	Qty	Code	Description	Qty
423947	Oven nozzle 196 G30/30 1,00	2			
423951	Auxiliary burner nozzle G30/30 0,50	1			
423994	Grill nozzle cooker 66 G30/30 0,73	1			
424061	Rapid burner nozzle G31/28 0,95	1			
424063	Auxiliary burner nozzle 66 0,53	1			
500906	Chromed black washer	8			
505241	Screw for tap M4x9	6			
541011	Spacer washer for built-in oven	8			
ZA1616	Instruction booklet Timer - complete	1			
ZA1717	Wiring diagram for cooker TCK CPU 120 DC 2V B/T UL	1			
ZA1727	Instruction booklet user Top/Cooker USA	1			
ZA1728	Instruction booklet installer Top/Cooker USA	1			
ZA1940	Nut EGO	2			
ZA1947	Instruction booklet timer fast - USA	1			
ZP2108	Clamp support for commutator cooker Party	1			
ZP2137	Clamp support for commutator cooker Party	1			
ZS1061	Spring for griddle heating el. support	2			
ZS1929	Faston	1			
ZS2419	Spring for door glass assembling 04	4			
ZS2931	Spacer between glasses	4			
ZS3078	Telescopic liner left	1			
ZS3079	Telescopic liner right	1			
ZS3495	Washer 4.3 x 10 x 3	4			
ZS6653	Carafe graduate 0.5	1			
ZS6679	O-ring 3021 viton	2			
ZS7088	Turnspit hole cap	1			
ZS8200	Screw M3.5x6	1			
ZS8635	Screw M4 x 8 wok burner	8			
ZS8645	Pins for Wok	1			

Code	Description	Qty	Code	Description	Qty
411213	Lateral frame support for built-in oven	2	ZS2064	Burner spark plug sbf L=900	3
481589	Grill heating element for oven 90	1	ZS2217	Gasket for auxiliary burner	1
482072	Upper heating element cooker	1	ZS2218	Gasket for semi-rapid burner	1
482120	Thermostat cooker 192	1	ZS2219	Gasket for rapid burner	1
482325	Circular heating element 230V-2500W	1	ZS3082	Lower heating element for oven 90 (1400 W)	1
ZA0458	Micro catenary for 4 burners	2	ZS4181	Thermocouple SBF L=750 TC	2
ZA0733	Ignition system 4 flames	2	ZS4186	Fixing nut for thermocouple burner 4.5	2
ZA0742	Fluorescent orange warning light UL	3	ZS5272	Thermocouple Cast L=770	3
ZA0815	Steam oven functions switch	1	ZS6372	Couple legobox rails partial opening push pull	1
ZA0816	Energy regulator for oven 230 V	1	ZS7354	Thermoswitch 16 Ampere	1
ZA0831	Oven thermocouple PT1000	1	ZS7653	Lower heating element for oven 30	1
ZA0883	Power board	1	ZS7893	Commutator oven functions 060 R	1
ZA0884	Timer (display)	1	ZS8190	Mega Wok burner flame spreader BRASS	1
ZA0886	Encoder push oven	1	ZS8191	Wok burner spark plug sbf DCC M+G INT	2
ZA1053	Plate central Wok burner	2	ZS8192	Plate Mega Wok burner external	1
ZA1098	thermostat oven	2	ZS8194	Gasket for wok burner	2
ZA1100	Door hinge for oven 30 triple glass	2	ZS8197	Mega Wok burner spark plug sbf DCC G EXT	1
ZA1108	Door hinge for oven 90 triple glass	2	ZS8198	Thermocouple SBF L=750 DCC	1
ZA1696	Complete Lamp-holder for oven (max 25 W) UL	1	ZS8199	Support for thermocouple DCC	1
ZA1697	Circular tangential oven 90 fan without fan and nut RO UL	1	ZS8200	Screw M3.5x6	1
ZA1698	Circular tangential oven 90 fan without fan and nut RA UL	1	ZS8626	Auxiliary burner flame spreader HE2 BRASS	1
ZA1702	Heating element barbecue 1200/240 th.7 UL	2	ZS8628	Semi-rapid burner flame spreader HE2 BRASS	1
ZA1721	Complete Lamp-holder for oven (max 25 W) UL	2	ZS8630	Rapid burner flame spreader HE2 BRASS	1
ZA1722	Cooling fan L=180 IMS UL	2	ZS8633	Plate Wok burner external	1
ZA1723	Gasket oven 30 FDA	1	ZS8635	Screw M4 x 8 wok burner	8
ZA1725	Gasket oven 90 H=8.9 mat HT FDA	1	ZS8638	Wok burner flame spreader BRASS	1
ZA1744	Energy regulator 240V EGO UL	2	ZS8645	Pins for Wok	1
ZA1879	Valved tap for auxiliary burner (bypass 0,35) CSA	2	ZS8684	Plate rapid burner HE2	1
ZA1880	Valved tap for rapid/fish-kettle burner CSA	1	ZS8685	Plate semi-rapid burner HE2	1
ZA1881	Valved tap for semi-rapid burner CSA	1	ZS8686	Plate auxiliary burner HE2	1
ZA1882	Valved tap for triple-ring burner CSA	1	ZS8821	Mega Wok burner body G20/10 0,80 1.65	1
ZA1883	Valved tap for mega wok-ring burner CSA	1	ZS8824	Wok burner body G20/10 1.65	1
ZA1940	Nut EGO	2	ZS8980	Gasket for Mega wok thermocouple support	1
ZS0580	Fry-top cast-iron griddle	1			
ZS1204	Transparent lens	3			
ZS2026	Thermostat TY60 N.O. fixing B	2			