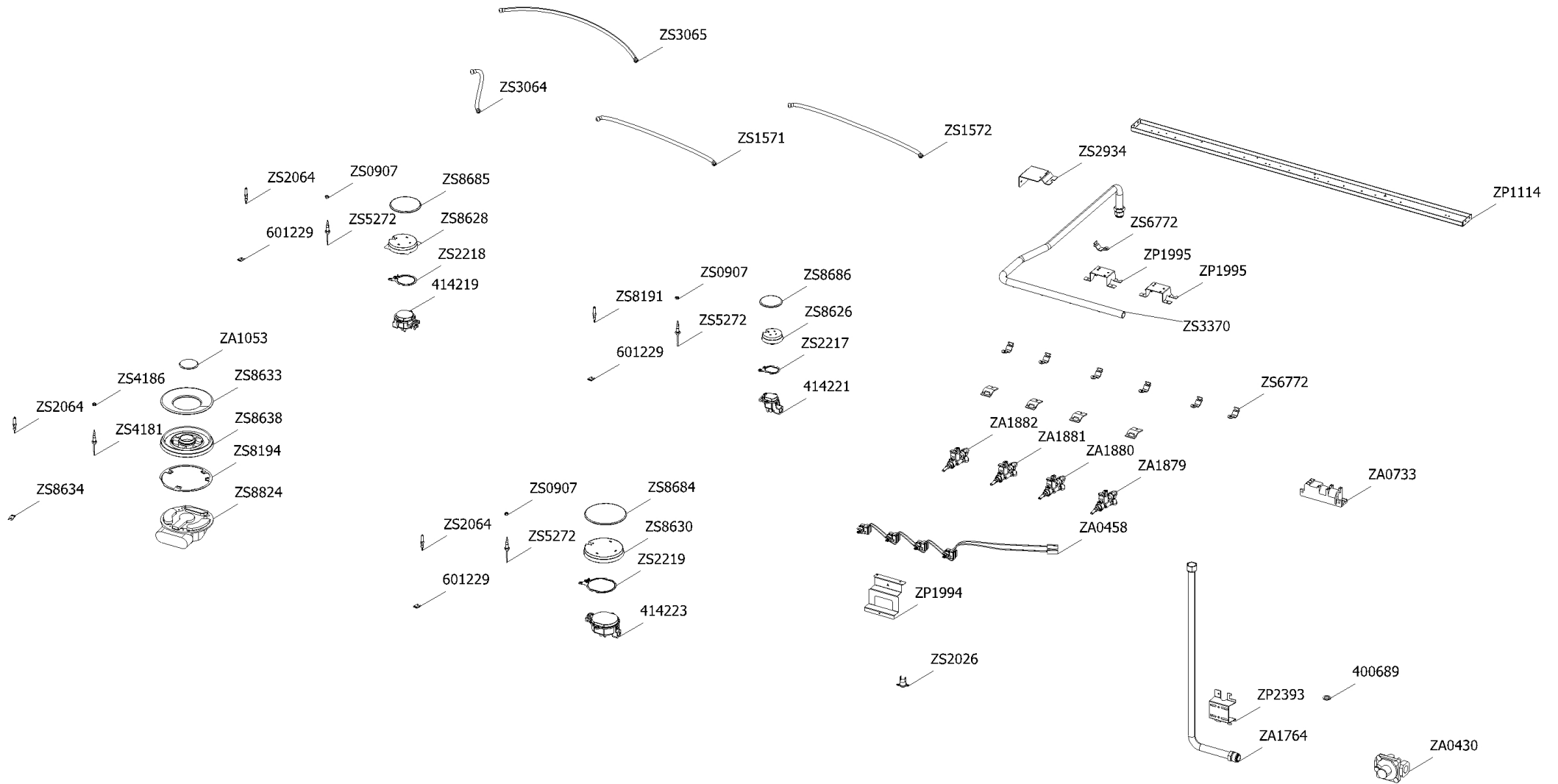


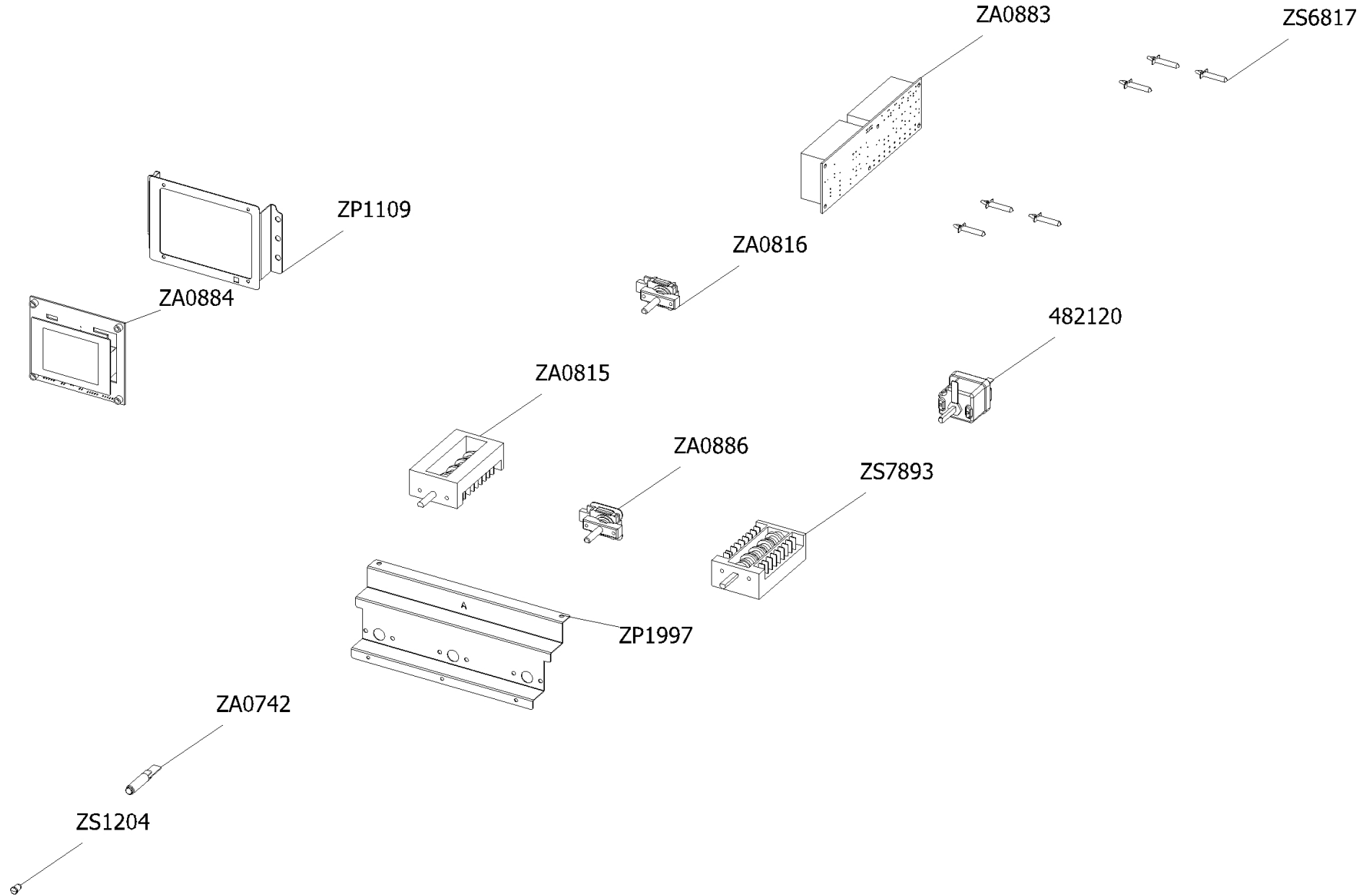
**Cucina ascot AQY10SF-4T SS-C OT Steel G20/12 240/60 USA**

CLIENTE

Code	Description	Qty	Code	Description	Qty
ZA0742	Fluorescent orange warning light UL	2			
ZA1702	Heating element barbecue 1200/240 th.7 UL	2			
ZA1744	Energy regulator 240V EGO UL	2			
ZC0334	Profile control panel drawer 100 Ascot internal Nero Fumo	1			
ZC0604	* Control panel front 4 burners B/T/C Ascot 100 TCK CPU DC with serygr.	1			
ZP0412	Profile control panel drawer 100 Ascot external inox	1			
ZP1042	Display support Ascot	1			
ZP1666	Complete spill tray cooker 100 4 burners/barbecue Ascot	1			
ZP1996	Commutator support 2 positions	1			
ZP2165	Spacer for rear side 100 Ascot / GNS	1			
ZS0553	Fry-top/barbecue stainless steel covering	1			
ZS0565	Cast-iron grid for wok	1			
ZS0580	Fry-top cast-iron griddle	1			
ZS0820	Barbecue cast-iron griddle support	1			
ZS1204	Transparent lens	2			
ZS1667	Protection frame for barbecue griddle	1			
ZS1864	Support for lateral cast-iron grid cooktop 100	4			
ZS3185	Back splash for cooker 100 Ascot	1			
ZS3305	Fixing plate for top Ascot	2			
ZS3643	Support for internal support control panel 100 Ascot	1			
ZS4391	Cast-iron grid 2 burners Ascot 07	2			
ZS4393	Cast-iron grid for lateral cooktop 100 Ascot 07	2			
ZS5412	* Ascot chromed knob	9			
ZS7681	Complete upper right side Ascot	1			
ZS7682	Complete upper left side Ascot	1			
ZS8174	* Handle for hob cooker Ascot 100 chromed terminal nickel	1			



<b>Code</b>	<b>Description</b>	<b>Qty</b>	<b>Code</b>	<b>Description</b>	<b>Qty</b>
400689	Gasket gas inlet	1	ZS8191	Wok burner spark plug sbf DCC M+G INT	1
414219	Semi rapid burner body G20 1,20	1	ZS8194	Gasket for wok burner	1
414221	Auxiliary burner body 0,90	1	ZS8626	Auxiliary burner flame spreader HE2 BRASS	1
414223	Rapid burner body G20/10 1,50	1	ZS8628	Semi-rapid burner flame spreader HE2 BRASS	1
421323	Gas taps fixing bridle M60	4	ZS8630	Rapid burner flame spreader HE2 BRASS	1
601229	Spring fixing spark plug for triple ring P-4	3	ZS8633	Plate Wok burner external	1
ZA0430	Gas pressure regulator Nat 4 / GPL 11	1	ZS8634	Spring fixing spark plug for Wok	1
ZA0458	Micro catenary for 4 burners	1	ZS8638	Wok burner flame spreader BRASS	1
ZA0733	Ignition system 4 flames	1	ZS8684	Plate rapid burner HE2	1
ZA1053	Plate central Wok burner	1	ZS8685	Plate semi-rapid burner HE2	1
ZA1764	Extension pipe Ascot / GNS	1	ZS8686	Plate auxiliary burner HE2	1
ZA1879	Valved tap for auxiliary burner (bypass 0,35) CSA	1	ZS8824	Wok burner body G20/10 1.65	1
ZA1880	Valved tap for rapid/fish-kettle burner CSA	1			
ZA1881	Valved tap for semi-rapid burner CSA	1			
ZA1882	Valved tap for triple-ring burner CSA	1			
ZP1114	Clamp support for ramp Ascot 100	1			
ZP1994	Commutator support 2 positions	1			
ZP1995	Commutator support 2 positions	2			
ZP2393	Commutator support 2 positions	1			
ZS0907	Fixing nut for themocouple	3			
ZS1571	Pipe ramp for front right auxiliary burner cooker 100 (Fryer/barbecue)	1			
ZS1572	Pipe ramp for rear right auxiliary burner cooker 100 (Fryer/barbecue)	1			
ZS2026	Thermostat TY60 N.O. fixing B	1			
ZS2064	Burner spark plug sbf L=900	3			
ZS2217	Gasket for auxiliary burner	1			
ZS2218	Gasket for semi-rapid burner	1			
ZS2219	Gasket for rapid burner	1			
ZS2934	Rear ramp fixing support cooker 70 / 100 TC / DC	1			
ZS3064	Pipe ramp for front left triple ring burner cooker 100 05	1			
ZS3065	Pipe ramp for rear left semi-rapid burner cooker 100 05	1			
ZS3370	Ramp 4 burners cooker 090/100 double oven 06	1			
ZS4181	Thermocouple SBF L=750 TC	1			
ZS4186	Fixing nut for thermocouple burner 4.5	1			
ZS5272	Thermocouple Cast L=770	3			
ZS6772	Clamp support for main ramp	5			



**Cucina ascot AQY10SF-4T SS-C OT Steel G20/12 240/60 USA**

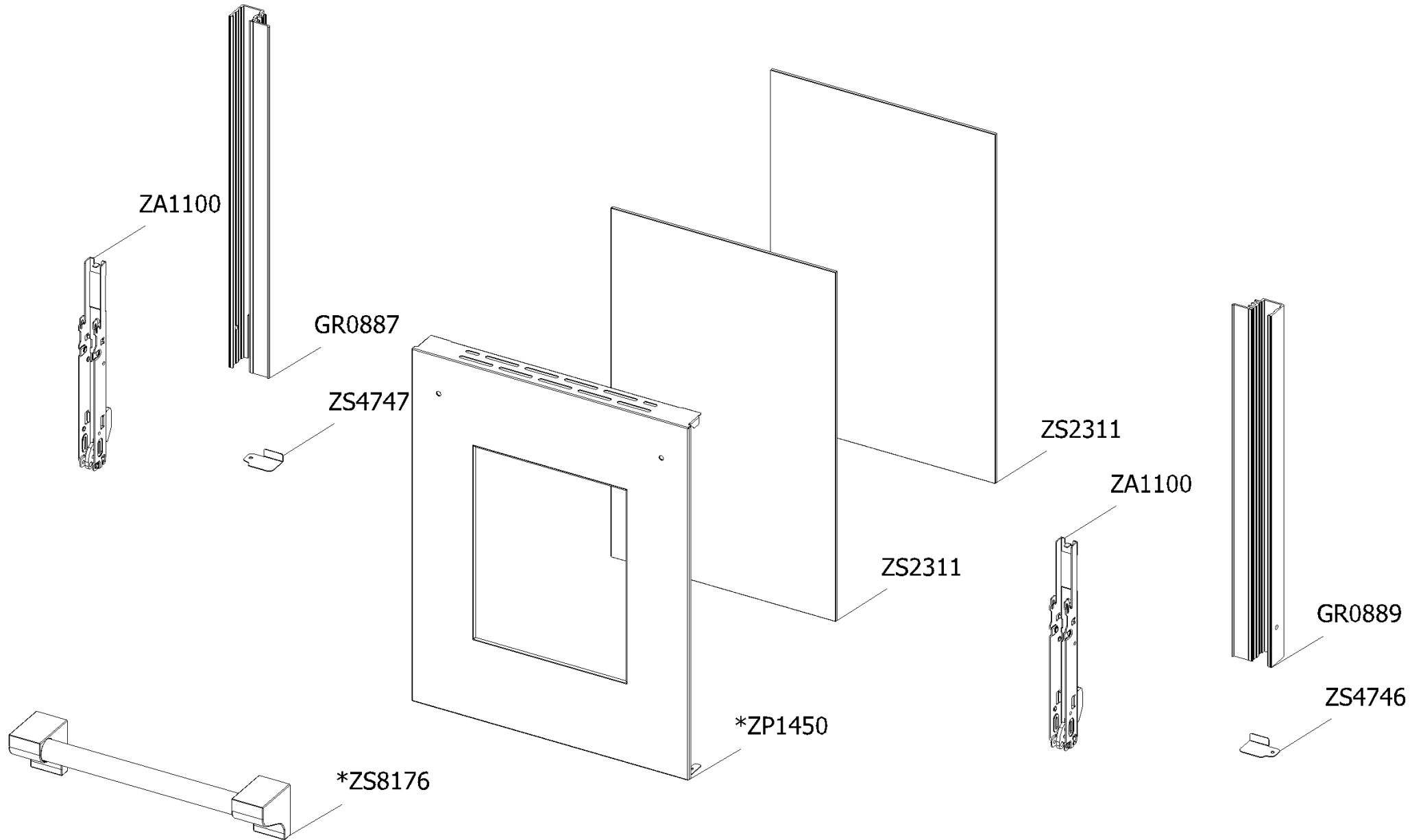
CLIENTE

<b>Code</b>	<b>Description</b>	<b>Qty</b>	<b>Code</b>	<b>Description</b>	<b>Qty</b>
482120	Thermostat cooker 192	1			
ZA0742	Fluorescent orange warning light UL	1			
ZA0815	Steam oven functions switch	1			
ZA0816	Energy regulator for oven 230 V	1			
ZA0883	Timer power board	1			
ZA0884	Timer (display)	1			
ZA0886	Encoder push oven	1			
ZP1109	Electrical display support	1			
ZP1997	Commutator support 3 positions	1			
ZS1204	Transparent lens	1			
ZS6817	Feet for electronic components EGO	6			
ZS7893	Commutator oven functions 060 R	1			



<b>Code</b>	<b>Description</b>	<b>Qty</b>	<b>Code</b>	<b>Description</b>	<b>Qty</b>
GP1357	Assembly support lower left side Ascot	1	ZS6684	Spacer for drawer guide	2
GP1358	Assembly support lower right side Ascot	1	ZS6685	Reinforcement for ceiling drawer cooker 100 SF double oven 04	1
ZA0878	Aluminium adhesive badge "Steel tricolore"	1	ZS6686	Muffle fan guard cooker 100 double/Triple oven Steam	1
ZA1098	Thermostat oven	2	ZS6840	* Drawer door cooker 100 DC SF S.Steel	1
ZA1699	Terminal block for appliance UL	1	ZS6870	Counterdoor drawer cooker 100 DC SF	1
ZA1722	Cooling fan L=180 IMS UL	1			
ZP1184	Rear bracket for 7-pole terminal block	1			
ZP1190	Terminal board cover	1			
ZP1193	Rear guard for cooker 100 double oven Ascot	1			
ZP2109	Display support	2			
ZP2112	Anti-tipping bracket	1			
ZP2115	Rear cover tray	2			
ZP2122	Ramp hole closing plate	1			
ZS0458	Drawer right regulation clip	1			
ZS0459	Drawer left regulation clip	1			
ZS0903	Sintesi black foot H.15	6			
ZS2026	Thermostat TY60 N.O. fixing B	1			
ZS2440	Air conveyor for cooktop 100 DC double oven 04	1			
ZS2472	Reinforcement for ceiling drawer cooker 100 double oven 04	1			
ZS2474	Front central muffle support cooker 100/120 double oven	1			
ZS2475	Front support for muffle left/right side 100/120 double/triple oven cooker	1			
ZS2476	Rear central support for muffle cooker 100 double oven	1			
ZS2477	Rear support for muffle left/right side cooker 100 double/triple oven	1			
ZS2478	Reinforcement for lower guard cooker 100 double oven 04	2			
ZS2479	Lower guard for cooker 100 double oven 04	1			
ZS2664	Air conveyor separator cooker 100 DC/TC	1			
ZS3203	Plinth for cooker 100 double oven Ascot	1			
ZS3206	Plinth rear for cooker 100 Ascot	1			
ZS3225	* Complete lower right/left side Ascot S.STEEL	2			
ZS6372	Couple legobox rails partial opening push pull	1			
ZS6628	Bracket condensate collection for 100 DC Steam	1			
ZS6680	Bottom drawer for cooker 100 double oven S.Steel	1			
ZS6681	Drawer lateral side for cooker S.Steel	2			
ZS6682	Drawer rear side for cooker 100 double oven S.Steel	1			
ZS6683	Drawer upper guard for cooker 100 double oven Steam	1			

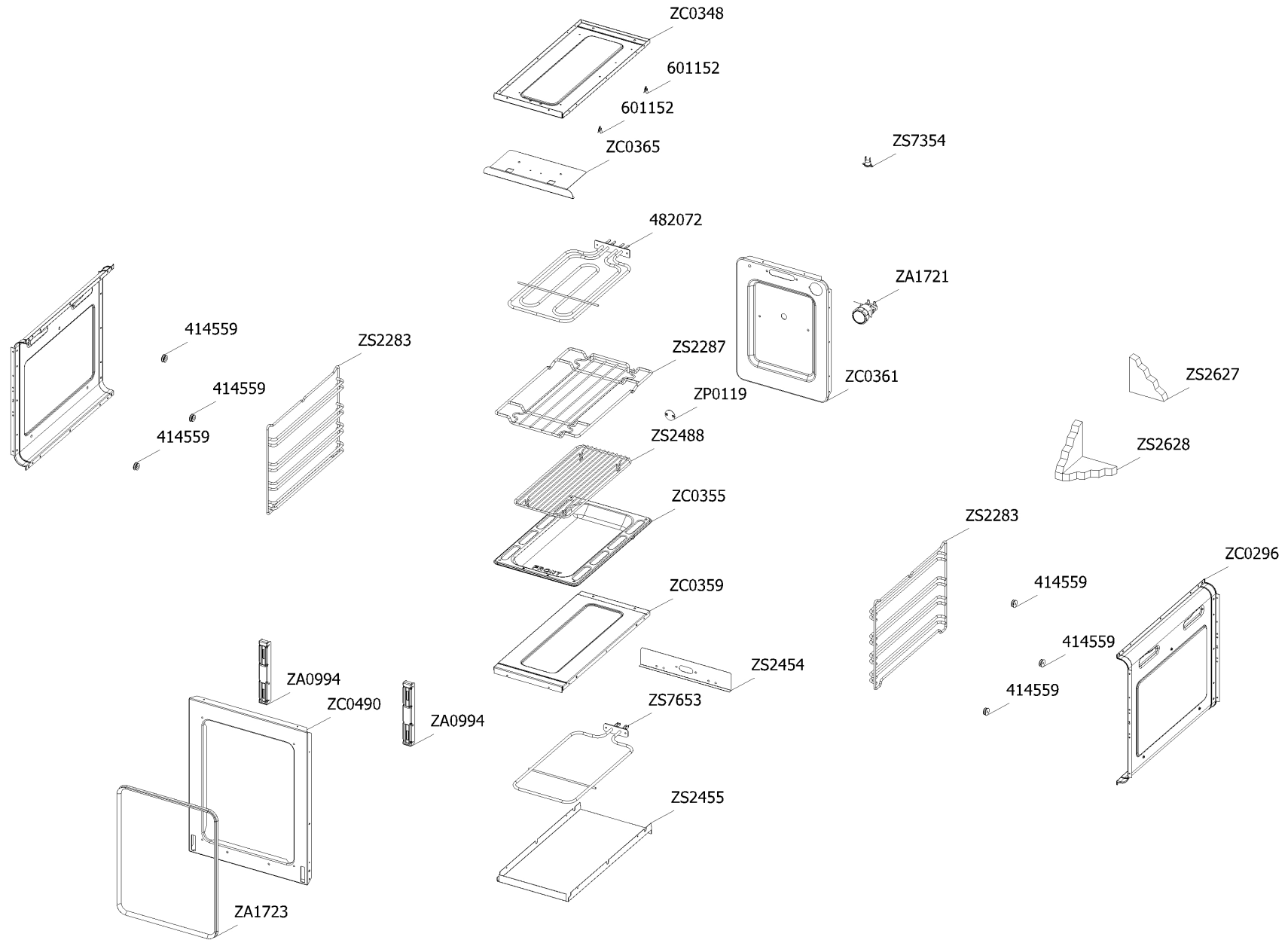




**Cucina ascot AQY10SF-4T SS-C OT Steel G20/12 240/60 USA**

CLIENTE

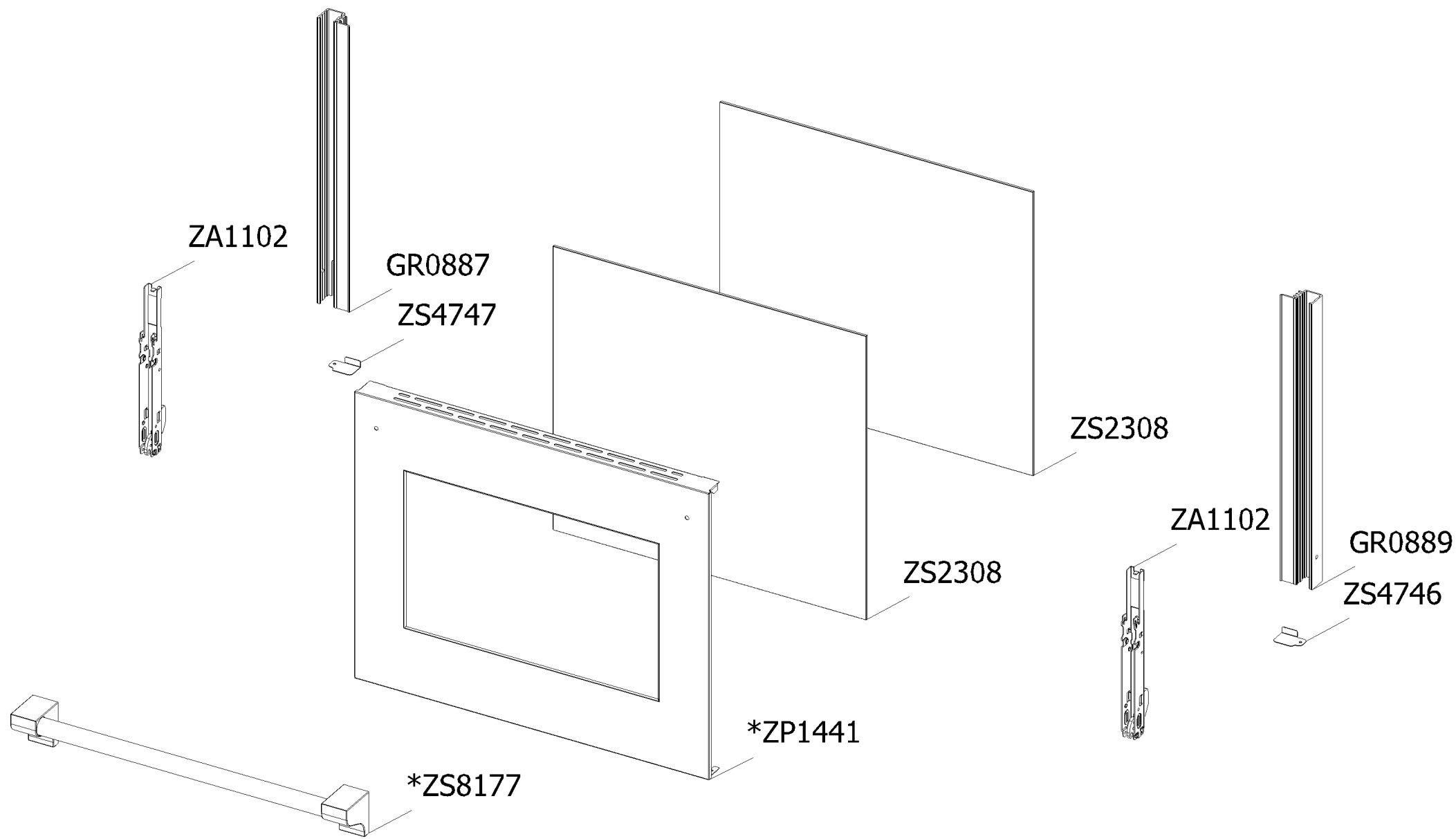
<b>Code</b>	<b>Description</b>	<b>Qty</b>	<b>Code</b>	<b>Description</b>	<b>Qty</b>
GP0709	Assembly glued oven door 30 s.steel Ascot	1			
--> GR0887	Assembly door 30/60/90 left bar profile SFT with gasket	1			
--> GR0889	Assembly door 30/60/90 right bar profile SFT with gasket	1			
--> ZA1100	Door hinge for oven 30 triple glass	2			
--> ZP1450	* Glued external oven door 30 KL	1			
--> ZS2311	Inner glass oven door 30	2			
--> ZS4746	Right support for inner glass	1			
--> ZS4747	Left support for inner glass	1			
--> ZS8176	* Handle for oven door 30 Ascot 100/120 chromed terminal nickel	1			



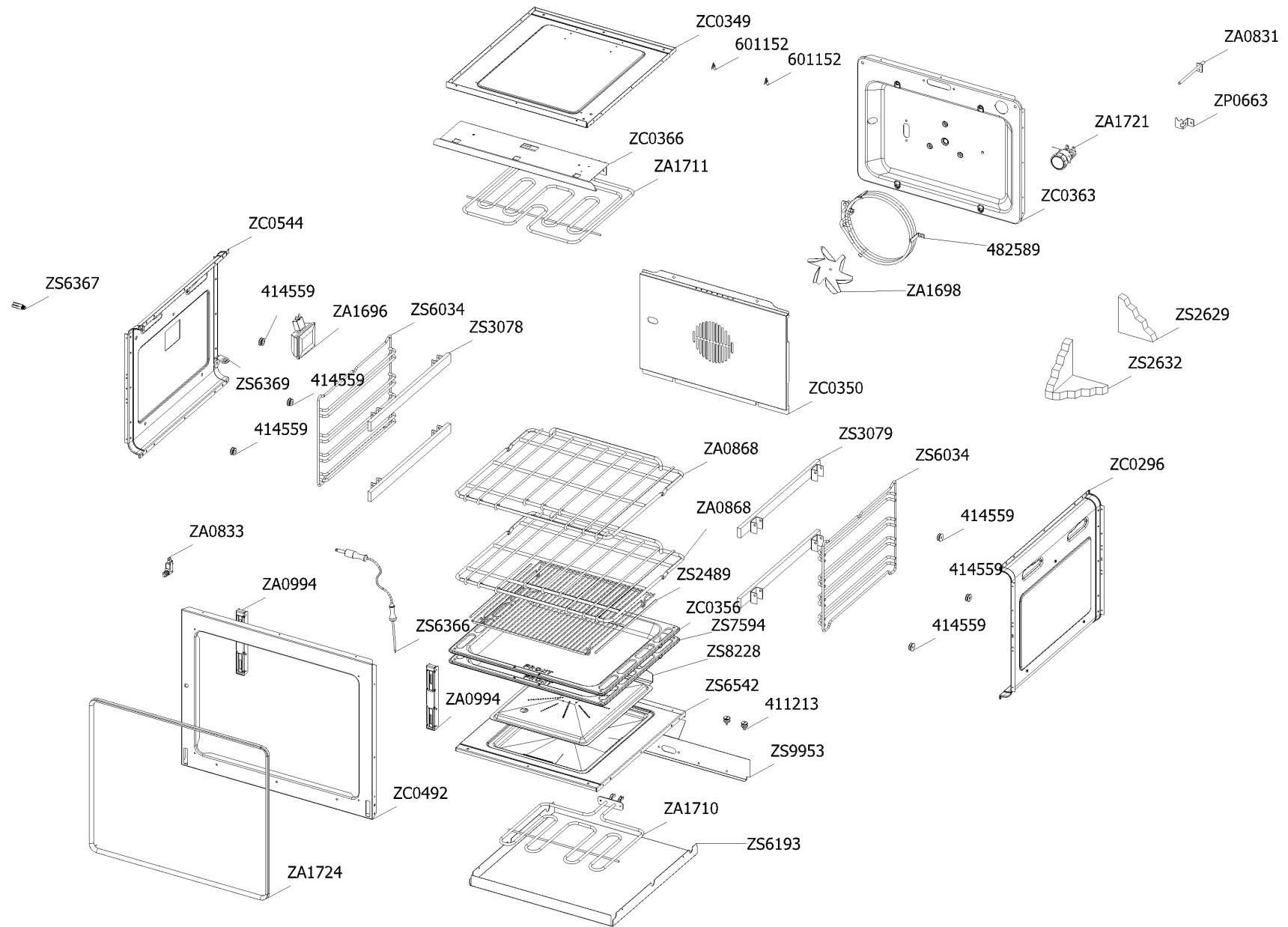
**Cucina ascot AQY10SF-4T SS-C OT Steel G20/12 240/60 USA**

CLIENTE

<b>Code</b>	<b>Description</b>	<b>Qty</b>	<b>Code</b>	<b>Description</b>	<b>Qty</b>
414559	Lateral frame support for built-in oven	6			
482072	Upper heating element cooker	1			
601152	Spring fixing feeler for built-in oven	2			
ZA0994	Hinge support 06	2			
ZA1721	Complete Lamp-holder for oven (max 25 W) UL	1			
ZA1723	Gasket oven 30 FDA	1			
ZC0296	Side muffle oven 30/60/90 enamelled 04 grey	2			
ZC0348	Enamelled muffle ceiling oven 30 grey	1			
ZC0355	Enamelled drip tray for oven 30 grey	1			
ZC0359	Enamelled muffle bottom for oven 30 grey	1			
ZC0361	Muffle rear side oven 30 enamelled grey	1			
ZC0365	Grill heating element support for muffle oven 30 enamelled grey	1			
ZC0490	Enamelled muffle front side oven 30 grey	1			
ZP0119	Turnspit hole cap	1			
ZS2283	Oven lateral frame 30/60/90	2			
ZS2287	Chromed wire grid for oven 30	1			
ZS2454	Lower heating elem.support oven 30 04	1			
ZS2455	Lower heating element tray oven 30 04	1			
ZS2488	Trivet for oven 30 04	1			
ZS2627	White glass wool for rear side 30 oven 04	1			
ZS2628	White glass wool for 30 oven 04	1			
ZS7354	Thermoswitch 16 Ampere	1			
ZS7653	Lower heating element for oven 30	1			



<b>Code</b>	<b>Description</b>	<b>Qty</b>	<b>Code</b>	<b>Description</b>	<b>Qty</b>
GP0744	Assembly glued oven door 60/100 double oven Ascot	1			
--> GR0887	Assembly door 30/60/90 left bar profile SFT with gasket	1			
--> GR0889	Assembly door 30/60/90 right bar profile SFT with gasket	1			
--> ZA1102	Door hinge for oven 60 triple glass	2			
--> ZP1441	* Glued external oven door 60/100 double oven	1			
--> ZS2308	Inner glass oven door 60	2			
--> ZS4746	Right support for inner glass	1			
--> ZS4747	Left support for inner glass	1			
--> ZS8177	* Handle for oven door 60 Ascot 70/100 chromed terminal nickel	1			



<b>Code</b>	<b>Description</b>	<b>Qty</b>	<b>Code</b>	<b>Description</b>	<b>Qty</b>
411213	Lateral frame support for built-in oven	2	ZS8228	Steam generator cover 60	1
414559	Lateral frame support for built-in oven	6	ZS9953	Lower heating elem.support oven 60	1
482589	Circular heating element 230V-2100W	1			
601152	Spring fixing feeler for built-in oven	2			
GP0194	Assembly rear muffle oven 60 enamelled grey	1			
--> ZC0363	Muffle rear side oven 60 enamelled grey	1			
ZA0831	Oven thermocouple PT1000	1			
ZA0833	Switch for oven door	1			
ZA0868	S.steel wire grid for oven 30P	2			
ZA0994	Hinge support 06	2			
ZA1696	Complete Lamp-holder for oven (max 25 W) UL	1			
ZA1698	Circular tangential oven 90 fan without fan and nut RA UL	1			
ZA1710	Lower heating element for oven 60 (1200W/230V)	1			
ZA1711	Grill heating element for oven 60 (1900+850W)	1			
ZA1721	Complete Lamp-holder for oven (max 25 W) UL	1			
ZA1724	Gasket oven 60 H=8.9 mat HT FDA	1			
ZC0296	Side muffle oven 30/60/90 enamelled 04 grey	1			
ZC0349	Enamelled muffle ceiling oven 60 grey	1			
ZC0350	Fan cover for oven 60 with turnspit hole grey	1			
ZC0356	Enamelled drip tray for oven 60 grey	1			
ZC0366	Grill heating element support for muffle oven 60 enamelled grey	1			
ZC0492	Enamelled muffle front side oven 60 grey	1			
ZC0544	Side muffle oven 30/60/90 enamelled 04 grey with lamp hole	1			
ZP0663	Probe plate	1			
ZS2489	Trivet for oven 60 04	1			
ZS2629	White glass wool for rear side 60 oven 04	1			
ZS2632	White glass wool for 60 oven 04	1			
ZS3078	Telescopic liner right	2			
ZS3079	Telescopic liner left	2			
ZS6034	Oven lateral frame 30/60/90 S.Steel	2			
ZS6193	Lower heating element tray oven 60 04	1			
ZS6366	Core probe programmer	1			
ZS6367	Meat probe's socket	1			
ZS6369	Cover for Meat probe's socket	1			
ZS6542	Complete muffle bottom for oven 60 S.Steel Steam	1			
ZS7594	Drip tray for oven 60 S.Steel TDL	1			



Code	Description	Qty	Code	Description	Qty
401520	Black cap for glass front panel	1			
423947	Oven nozzle 196 G30/30 1,00	1			
423994	Grill nozzle cooker 66 G30/30 0,73	1			
424061	Rapid burner nozzle G31/28 0,95	1			
424063	Auxiliary burner nozzle 66 0,53	1			
500906	Chromed black washer	8			
505241	Screw for tap M4x9	4			
541011	Spacer washer for built-in oven	4			
601152	Spring fixing feeler for built-in oven	2			
ZA1616	Instruction booklet Timer - complete	1			
ZA1716	Wiring diagram for cooker TCK CPU 100 DC B/T UL	1			
ZA1727	Instruction booklet user Top/Cooker USA	1			
ZA1728	Instruction booklet installer Top/Cooker USA	1			
ZA1940	Nut EGO	2			
ZA1947	Instruction booklet timer fast - USA	1			
ZP2108	Clamp support for commutator cooker Party	1			
ZS1061	Spring for griddle heating el. support	2			
ZS1929	Faston	1			
ZS2419	Spring for door glass assembling 04	8			
ZS3495	Washer 4.3 x 10 x 3	4			
ZS6653	Carafe graduate 0.5	1			
ZS6679	O-ring 3021 viton	1			
ZS7088	Turnspit hole cap	1			
ZS8635	Screw M4 x 8 wok burner	4			
ZS8645	Pins for Wok	1			

Code	Description	Qty	Code	Description	Qty
411213	Lateral frame support for built-in oven	2	ZA1940	Nut EGO	2
414219	Semi rapid burner body G20 1,20	1	ZS0580	Fry-top cast-iron griddle	1
414221	Auxiliary burner body 0,90	1	ZS1204	Transparent lens	3
414223	Rapid burner body G20/10 1,50	1	ZS2026	Thermostat TY60 N.O. fixing B	2
423947	Oven nozzle 196 G30/30 1,00	1	ZS2064	Burner spark plug sbf L=900	3
424063	Auxiliary burner nozzle 66 0,53	1	ZS2217	Gasket for auxiliary burner	1
482072	Upper heating element cooker	1	ZS2218	Gasket for semi-rapid burner	1
482120	Thermostat cooker 192	1	ZS2219	Gasket for rapid burner	1
482589	Circular heating element 230V-2100W	1	ZS4181	Thermocouple SBF L=750 TC	1
ZA0458	Micro catenary for 4 burners	1	ZS4186	Fixing nut for thermocouple burner 4.5	1
ZA0733	Ignition system 4 flames	1	ZS5272	Thermocouple Cast L=770	3
ZA0742	Fluorescent orange warning light UL	3	ZS6372	Couple legobox rails partial opening push pull	1
ZA0815	Steam oven functions switch	1	ZS7354	Thermoswitch 16 Ampere	1
ZA0816	Energy regulator for oven 230 V	1	ZS7653	Lower heating element for oven 30	1
ZA0831	Oven thermocouple PT1000	1	ZS7893	Commutator oven functions 060 R	1
ZA0883	Timer power board	1	ZS8191	Wok burner spark plug sbf DCC M+G INT	1
ZA0884	Timer (display)	1	ZS8194	Gasket for wok burner	1
ZA0886	Encoder push oven	1	ZS8626	Auxiliary burner flame spreader HE2 BRASS	1
ZA1053	Plate central Wok burner	1	ZS8628	Semi-rapid burner flame spreader HE2 BRASS	1
ZA1098	Thermostat oven	2	ZS8630	Rapid burner flame spreader HE2 BRASS	1
ZA1100	Door hinge for oven 30 triple glass	2	ZS8633	Plate Wok burner external	1
ZA1102	Door hinge for oven 60 triple glass	2	ZS8635	Screw M4 x 8 wok burner	4
ZA1696	Complete Lamp-holder for oven (max 25 W) UL	1	ZS8638	Wok burner flame spreader BRASS	1
ZA1698	Circular tangential oven 90 fan without fan and nut RA UL	1	ZS8645	Pins for Wok	1
ZA1702	Heating element barbecue 1200/240 th.7 UL	2	ZS8684	Plate rapid burner HE2	1
ZA1710	Lower heating element for oven 60 (1200W/230V)	1	ZS8685	Plate semi-rapid burner HE2	1
ZA1711	Grill heating element for oven 60 (1900+850W)	1	ZS8686	Plate auxiliary burner HE2	1
ZA1721	Complete Lamp-holder for oven (max 25 W) UL	2	ZS8824	Wok burner body G20/10 1.65	1
ZA1722	Cooling fan L=180 IMS UL	1			
ZA1723	Gasket oven 30 FDA	1			
ZA1724	Gasket oven 60 H=8.9 mat HT FDA	1			
ZA1744	Energy regulator 240V EGO UL	2			
ZA1879	Valved tap for auxiliary burner (bypass 0,35) CSA	1			
ZA1880	Valved tap for rapid/fish-kettle burner CSA	1			
ZA1881	Valved tap for semi-rapid burner CSA	1			
ZA1882	Valved tap for triple-ring burner CSA	1			