

48" RUSTICO STYLE DUAL FUEL RANGE

Ascot series - AQY12SF-4TM



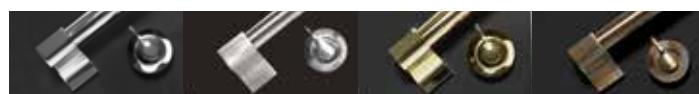
ALSO AVAILABLE IN



nero BA antracite AN ametista AA celeste CE



bordeaux BR crema CR nuvola NA sabbia SA



chrome C nickel N brass O bronze BR

FEATURES AND BENEFITS

- Powerful 17,000 BTU double ring burner speeds cooking time
- Electric frytop dual zone
- Combi-Steam to bake as you've always cooked, in shorter time, with less energy consumption, with better results
- Removable, dishwasher safe, s.steel oven liners
- Full extension telescopic rack rails for easy access to the oven cavity
- Soft closing hinges softly guide the door shut so the oven door never slams
- Our patented INNVENT system with double inverted rotation of the fans distributes heat evenly throughout the oven's cavity, not only vertically on different levels, but also horizontally on each level, allowing impeccable and homogeneous cooking. Your oven door can remain closed all the cooking time, because you won't have the need to rotate the tray halfway.
- TFT programmer. 11 cooking functions - 34 pre set recipes - eco mode - Sabbath mode - traditional and fan assisted steam

GENERAL PROPERTIES

OVEN FUNCTIONS	defrost, static, upper element, static steam, grill, ventilated grill, fan steam, convection, fast heating, proof
TYPE OF GRATE	enameled cast iron
KNOB/HANDLE MATERIAL	metal
INTERIOR LIGHT	3+1 (halogen)
KITCHEN TIMER	yes
SEALED BURNERS	yes

MAIN OVEN PERFORMANCE

BAKE/BROIL ELEMENT WATTS	1000 + 2800 W
CONVECTION ELEMENT WATTS	2500 W
LOWER ELEMENT WATTS	1400 W
OVEN VOLUME	3.2 cubic feet

SIDE OVEN PERFORMANCE

BAKE/BROIL ELEMENT WATTS	1200 + 500 W
LOWER ELEMENT WATTS	900 W
OVEN VOLUME	1.4 cubic feet

COOK TOP PERFORMANCE

TOTAL COOKING ZONES	7 (5 burners + dual frytop)
TOTAL COOK TOP (NG/LP) BTU	53700 / 41800
SIMMER (NG/LP) BTU	4200 / 3000
SEMI-RAPID (NG/LP) BTU	7500 / 5600
RAPID (NG/LP) BTU	11500 / 9500
MEGA-WOK (NG/LP) BTU	17000 / 13100
FRYTOP	2 X 1200 W

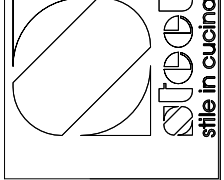
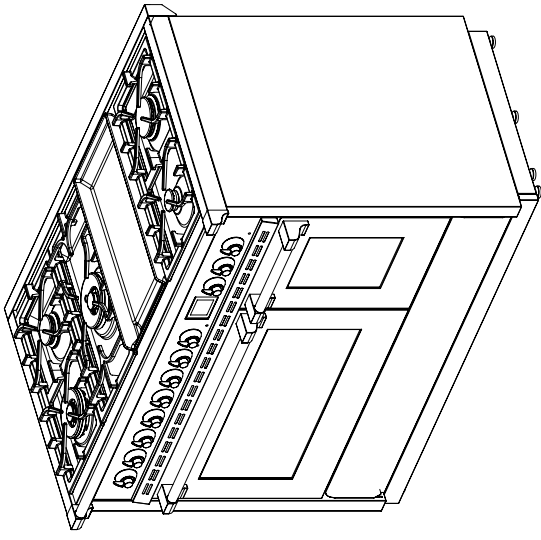
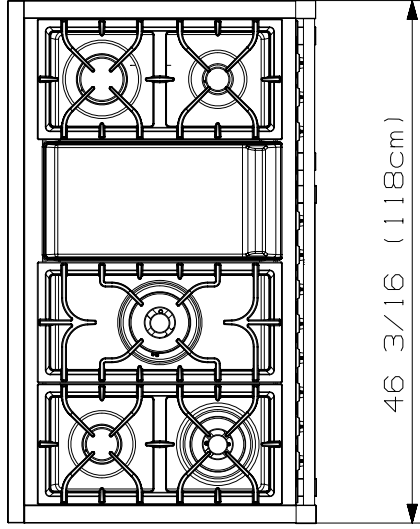
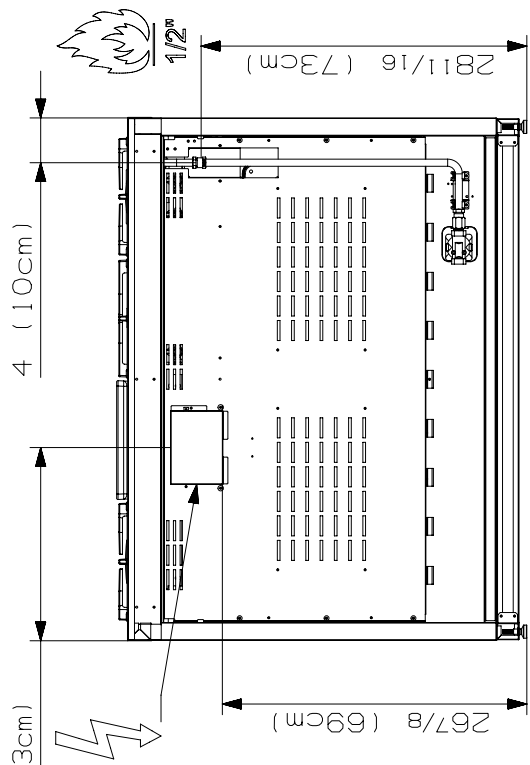
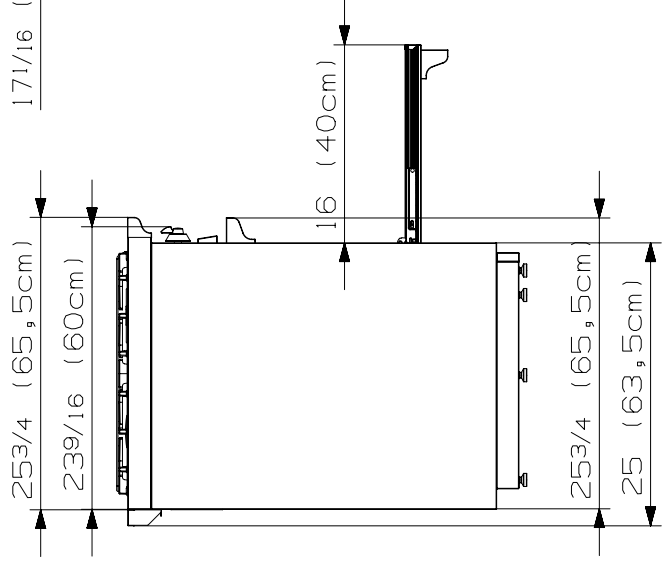
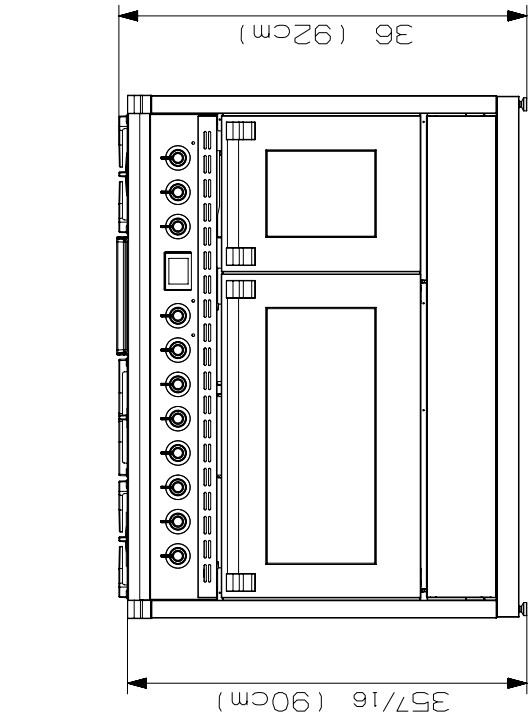
TECHNICAL DETAILS

CIRCUIT BRAKER	35 A
VOLTS	120 / 240 V
FREQUENCY	60 Hz
POWER CORD LENGHT	46" (included)
PLUG TYPE	NEMA 50-14P - 4 prong
ENERGY SOURCE	mixed electric / gas
GAS TYPE	natural gas (5" wc)
ALTERNATIVE GAS TYPE	lp (10" wc) - LP kit included

DIMENSIONS & WEIGHT

OVERALL DIMENSIONS	W= 46 1/8" (117cm) - adj 48" (121,92 cm)H= 35 7/16" (90cm) D= 24 9/16" (62cm)
ADJUSTABLE RANGE HEIGHT	35 7/16" (90cm) min 36 7/32" (92cm) max
OVERALL OVEN INTERIOR SIZE (main oven)	W= 23 13/16" (60,5cm) H= 13 25/32" (35cm) D= 16 59/64 (43cm)
OVERALL OVEN INTERIOR SIZE (side oven)	W= 10 15/64" (26cm) H= 13 25/32" (35cm) D= 16 59/64 (43cm)
NET WEIGHT	359lbs (163kg)





DESCRIZIONE / DESCRIPTION		REV.	NR. PZ.
Cucina Ascot 120 AQ12 USA		-	-
RIF. CLIENTE/CUSTOMER'S RE.		MATERIALE/MATERIAL	
RIF. FORNITORE/SUPPLIER'S RE.		TRATTAMENTO/PROCESS	
DISGNATORE/EDITOR	APPROV.	DATA/DATE	SCALA
Lorenzo	-	07/11/2023	-
RIF. CLIENTE/CUSTOMER'S RE.		MASSA/MASS Kg	
Prepari abiti di LIS STEEL S.p.A. CAPRI (NA). Senza Garanzia, autorizziamo, scritto, ed in attesa di presentarci il presente disegno, per abitarci essere utilizzato per la costruzione dell'oggetto rappresentato nel presente disegno e riprodotti, in proprietà di tutti i propri diritti o figure di legge.		-	